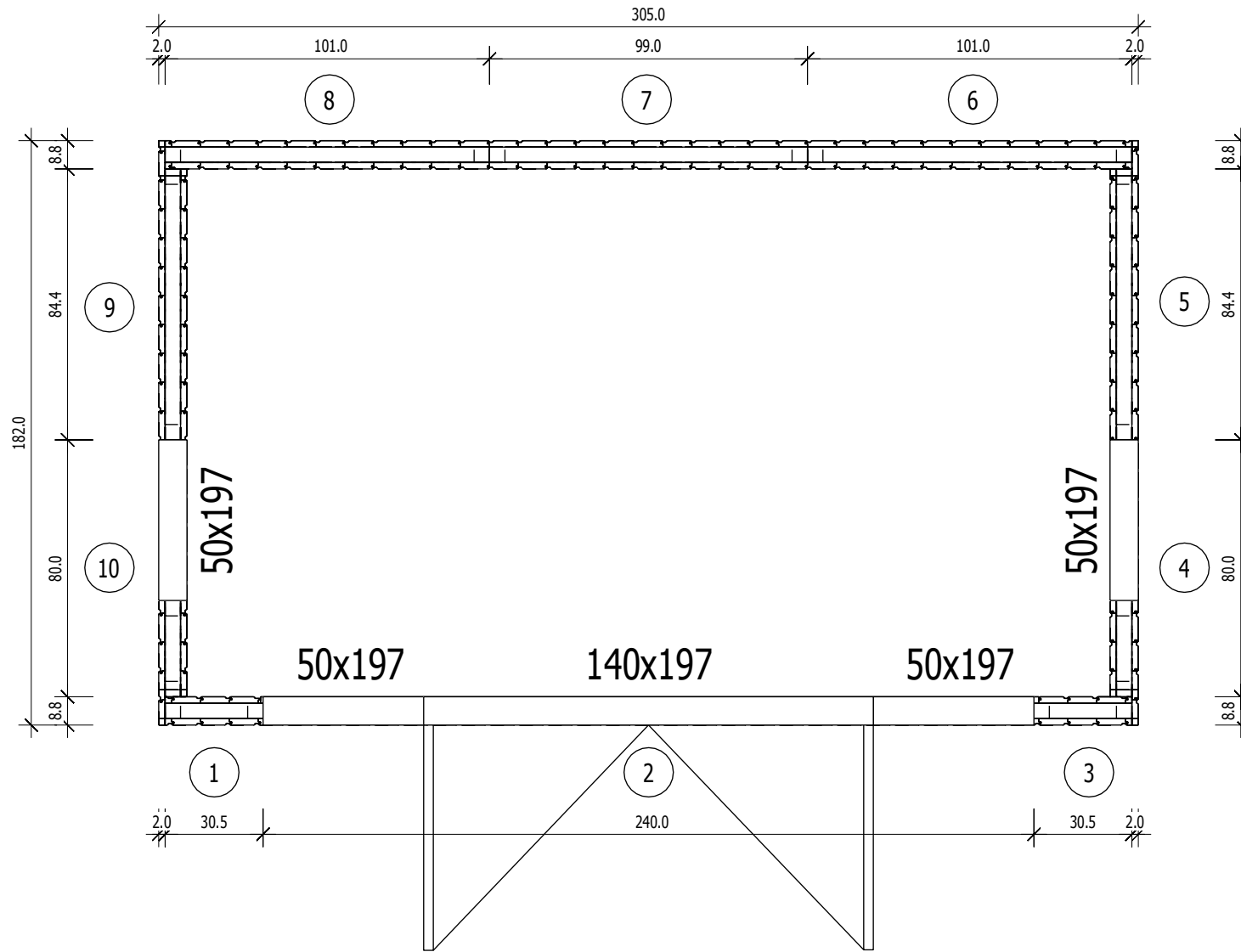
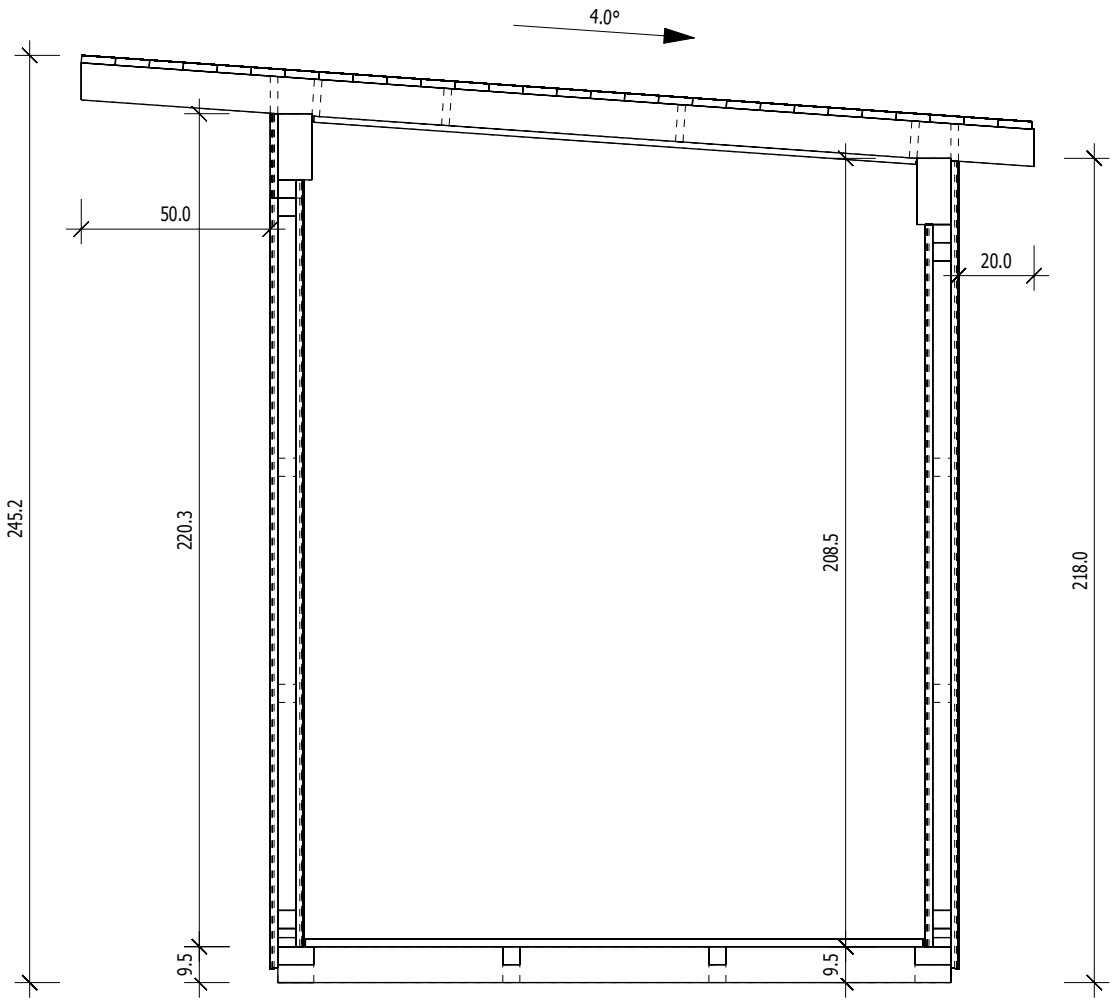


Lomond 3.00m x 1.80m Plan





| | | |
|--|--|--|
| | | |
| | | |
| | | |