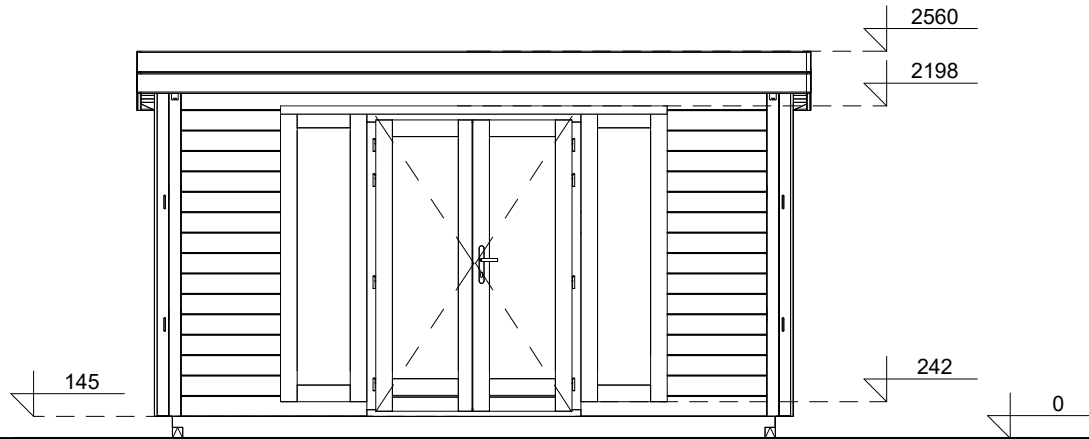
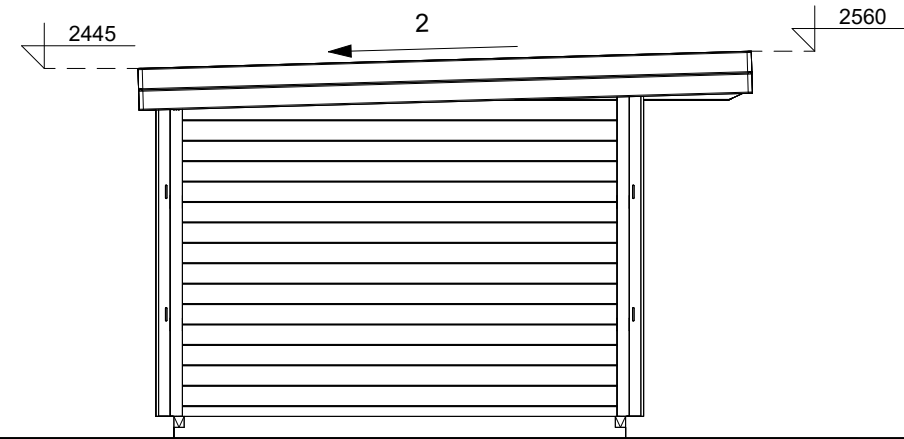


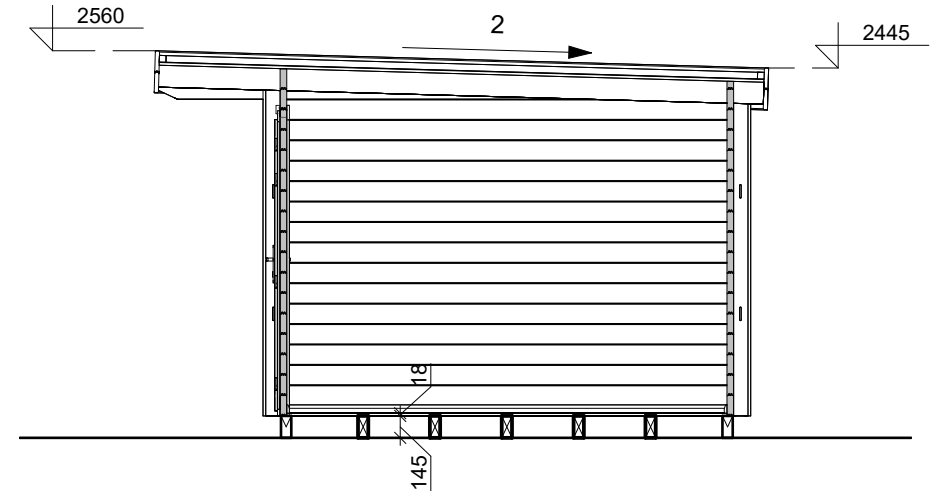
FRONT VIEW



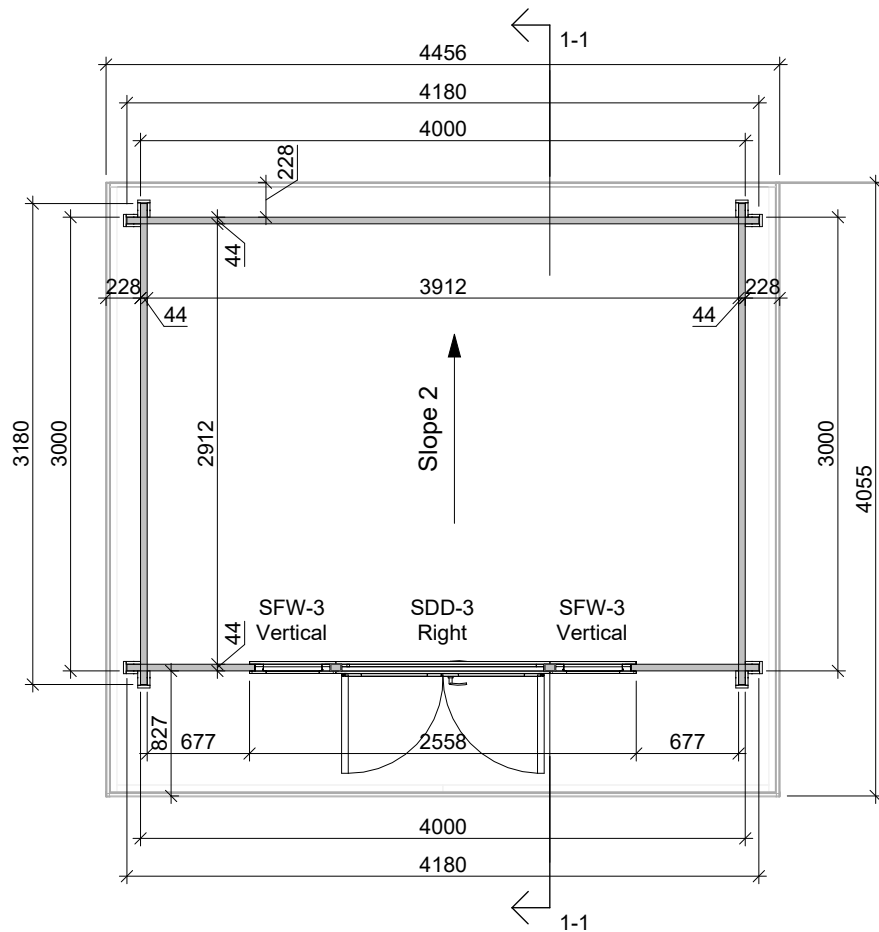
LEFT SIDE VIEW



SECTION 1-1

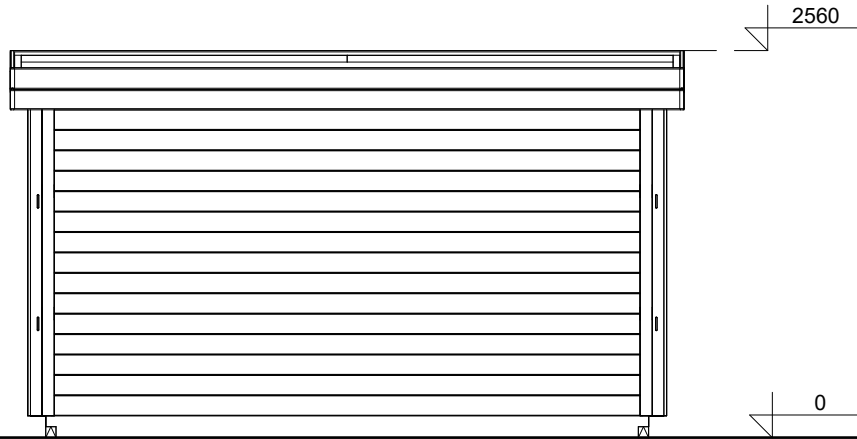


FLOOR PLAN

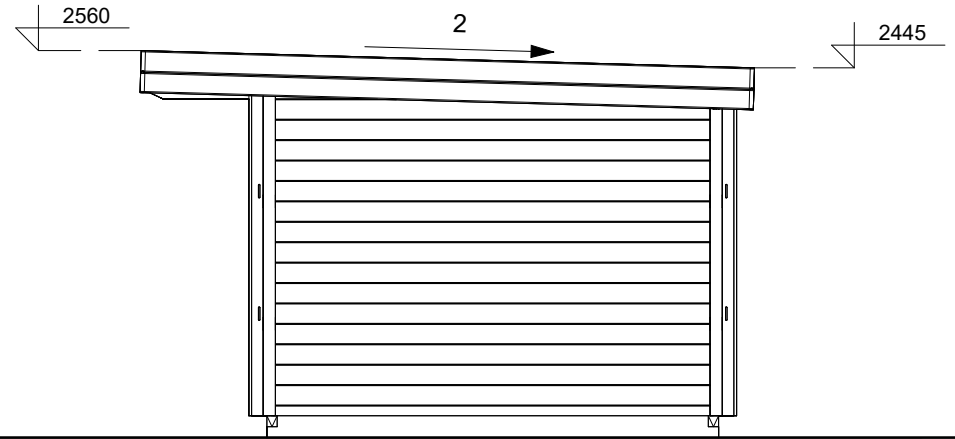


Project Nr.				
207-04-24LS Log cabin 418x318cm 44mm				
ARCHITECTURE DRAWINGS	Scale	Drawer	Sheet Nr.	Date
	1 : 50	RB	AR - 1	16.05.2024 16:08:33

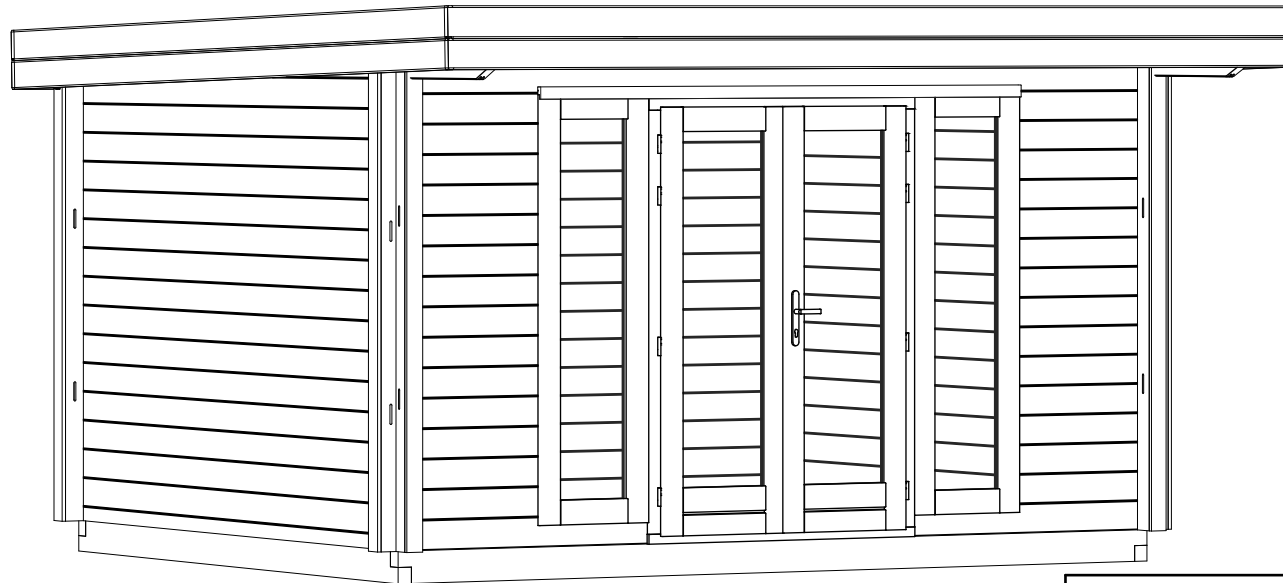
REAR VIEW



RIGHT SIDE VIEW



3D VIEW



FLOOR SCHEDULE

Description	Area
Ground floor 18mm	11.4 m ²

Project Nr.

207-04-24LS Log cabin 418x318cm 44mm

ARCHITECTURE
DRAWINGS

Scale

1 : 50

Drawer

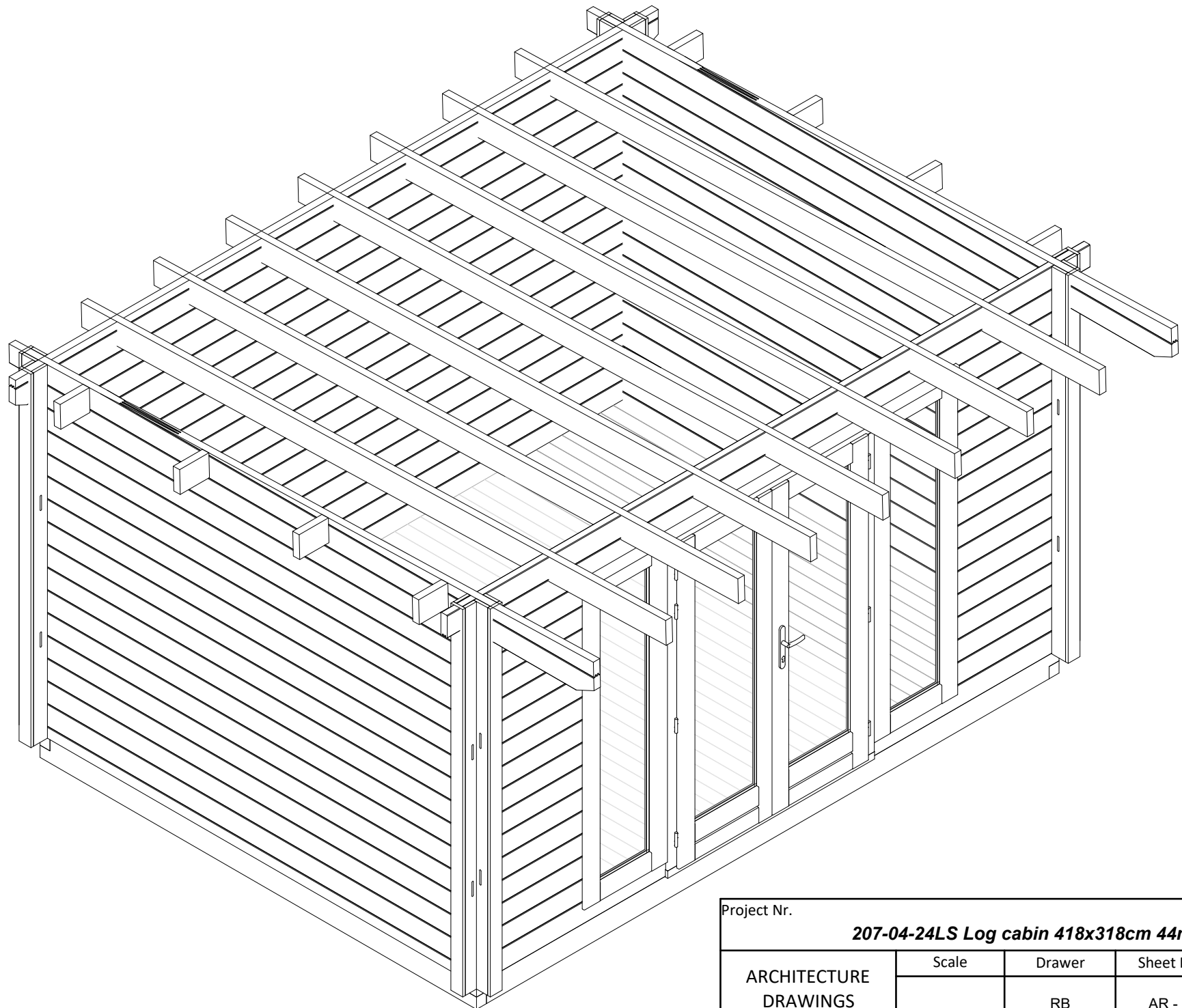
RB

Sheet Nr.

AR - 2

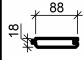
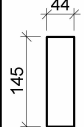
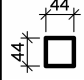
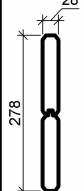
Date

16.05.2024
16:08:34

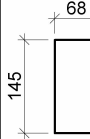
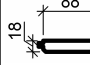
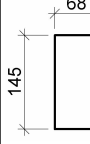
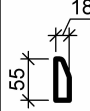


Project Nr.				
207-04-24LS Log cabin 418x318cm 44mm				
ARCHITECTURE DRAWINGS	Scale	Drawer	Sheet Nr.	Date
		RB	AR - 3	16.05.2024 16:08:34

ROOF PART SPECIFICATION

Type Image	Keynote	Description
	RB 18x88	Roof board 18mm
	RJ 44x145	Roof joist 44x145
	RS 44x44	Roof side board 44x44
	WB 28	Wind board 28mm

FLOOR PART SPECIFICATION

Type Image	Keynote	Description
	BB 145x68	Base beam 145x68
	FB	Floor board 18mm
	FJ 145x68	Floor joist 145x68
	FS	Floor skirting

DOOR SCHEDULE

Keynote	Count
SDD-3 Right	1
	1

WINDOW SCHEDULE

Keynote	Count
SFW-3 Vertical	2
	2

ROOF SCHEDULE

Roof type	Area
Roof finish area	17.6 m ²
	17.6 m ²

FLOOR SCHEDULE

Description	Area
Ground floor 18mm	11.4 m ²

Project Nr.

207-04-24LS Log cabin 418x318cm 44mm

ARCHITECTURE
DRAWINGS

Scale

Drawer

Sheet Nr.

Date

RB

AR - 4

16.05.2024
16:08:35