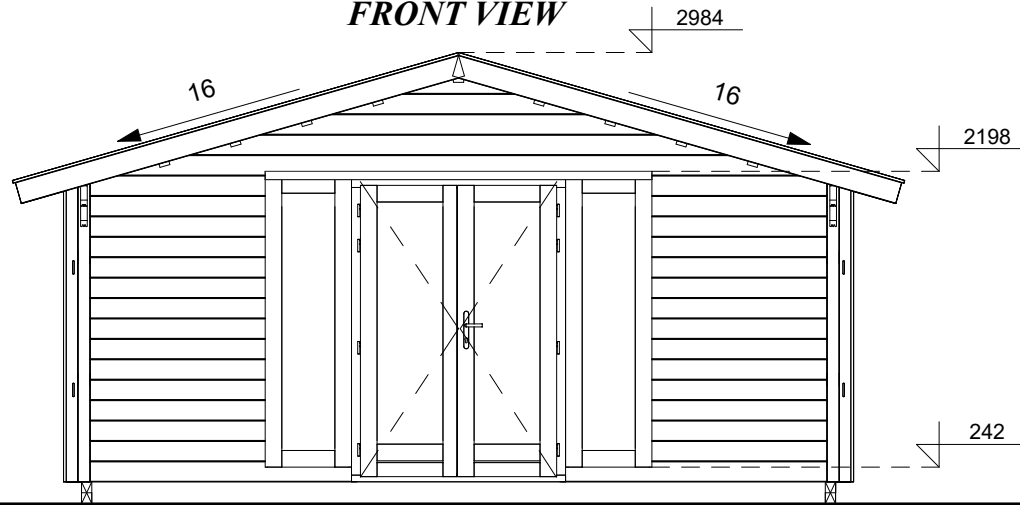
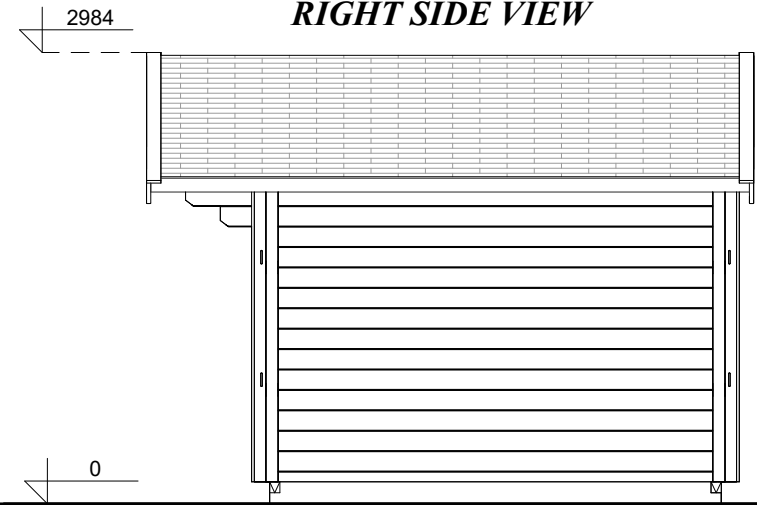


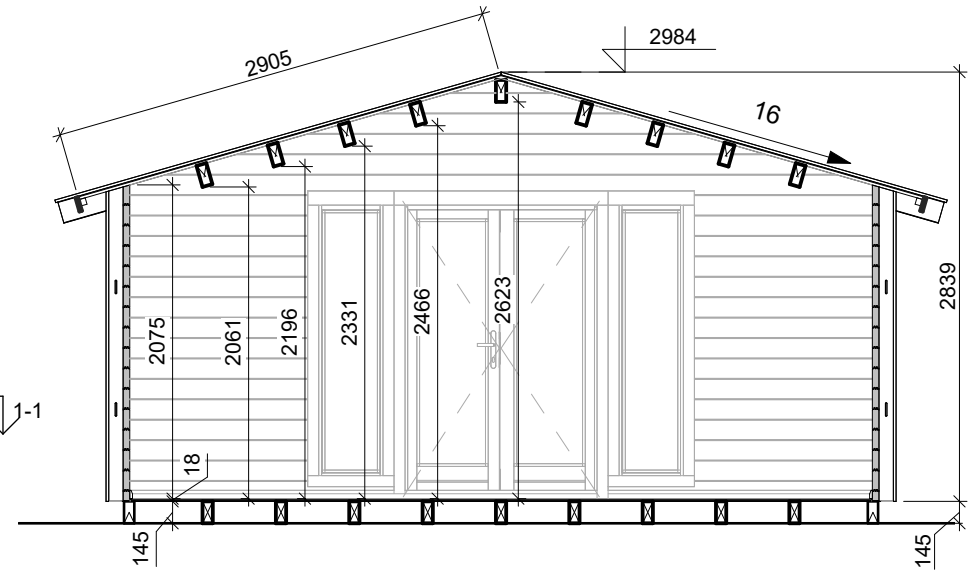
FRONT VIEW



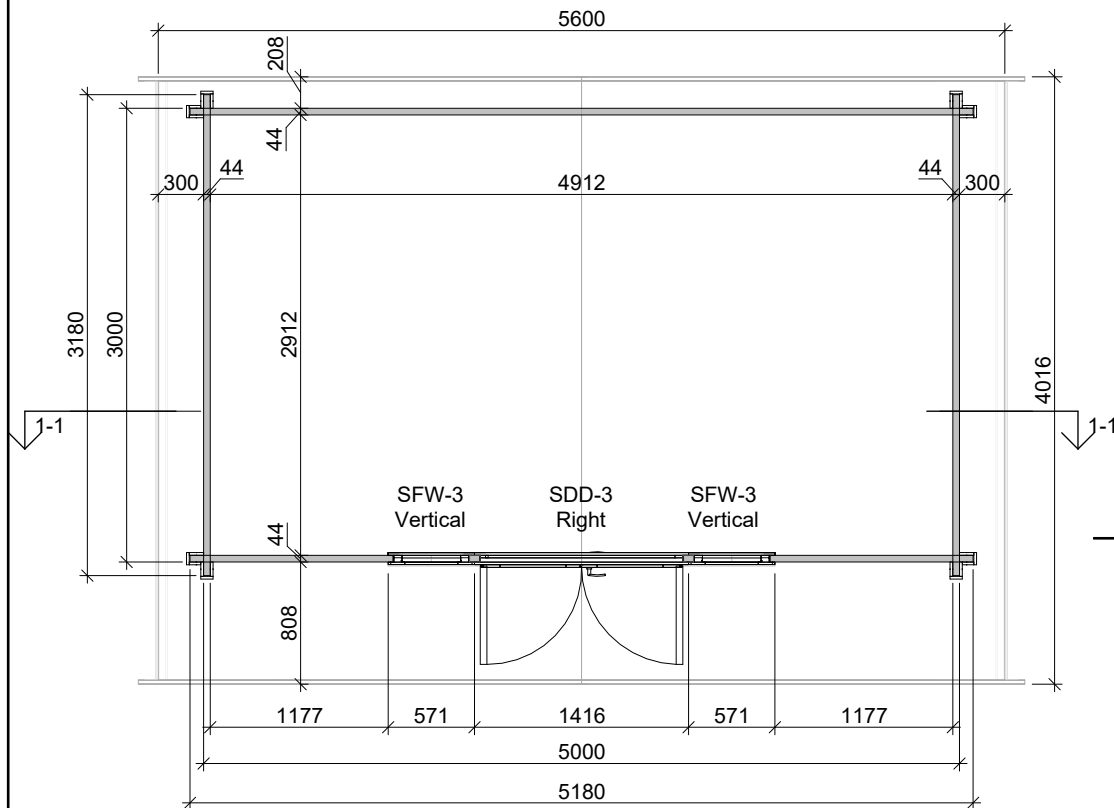
RIGHT SIDE VIEW



SECTION 1-1



FLOOR PLAN



Project Nr.

442-06-25LS Monaco 518x318cm 44mm

ARCHITECTURE
DRAWINGS

Scale

1 : 50

Drawer

RKK

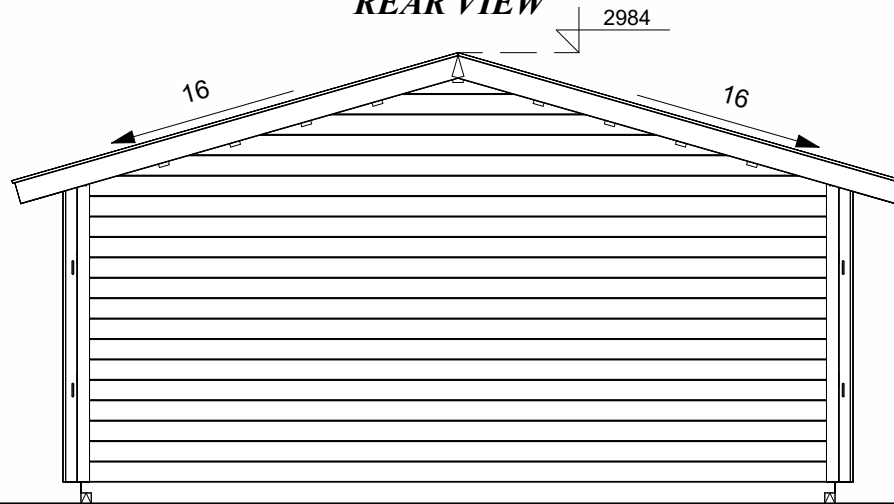
Sheet Nr.

AR - 1

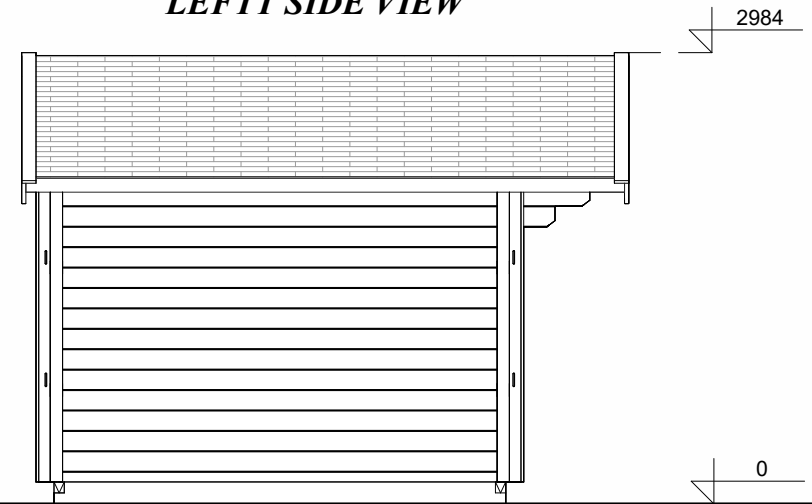
Date

08.07.2025
11:08:50

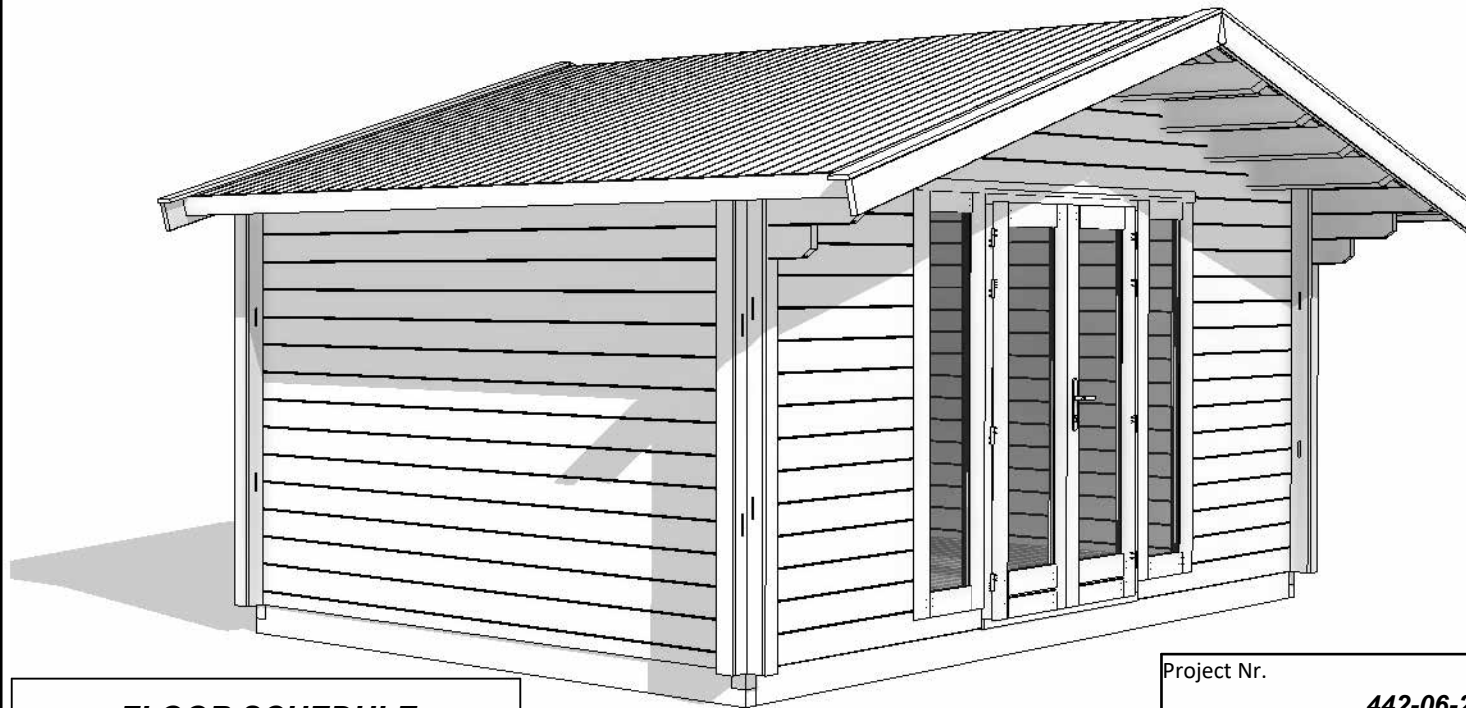
REAR VIEW



LEFTT SIDE VIEW



3D VIEW



FLOOR SCHEDULE

Description	Area
Ground floor 18mm	14.3 m ²

Project Nr.

442-06-25LS Monaco 518x318cm 44mm

ARCHITECTURE
DRAWINGS

Scale

1 : 50

Drawer

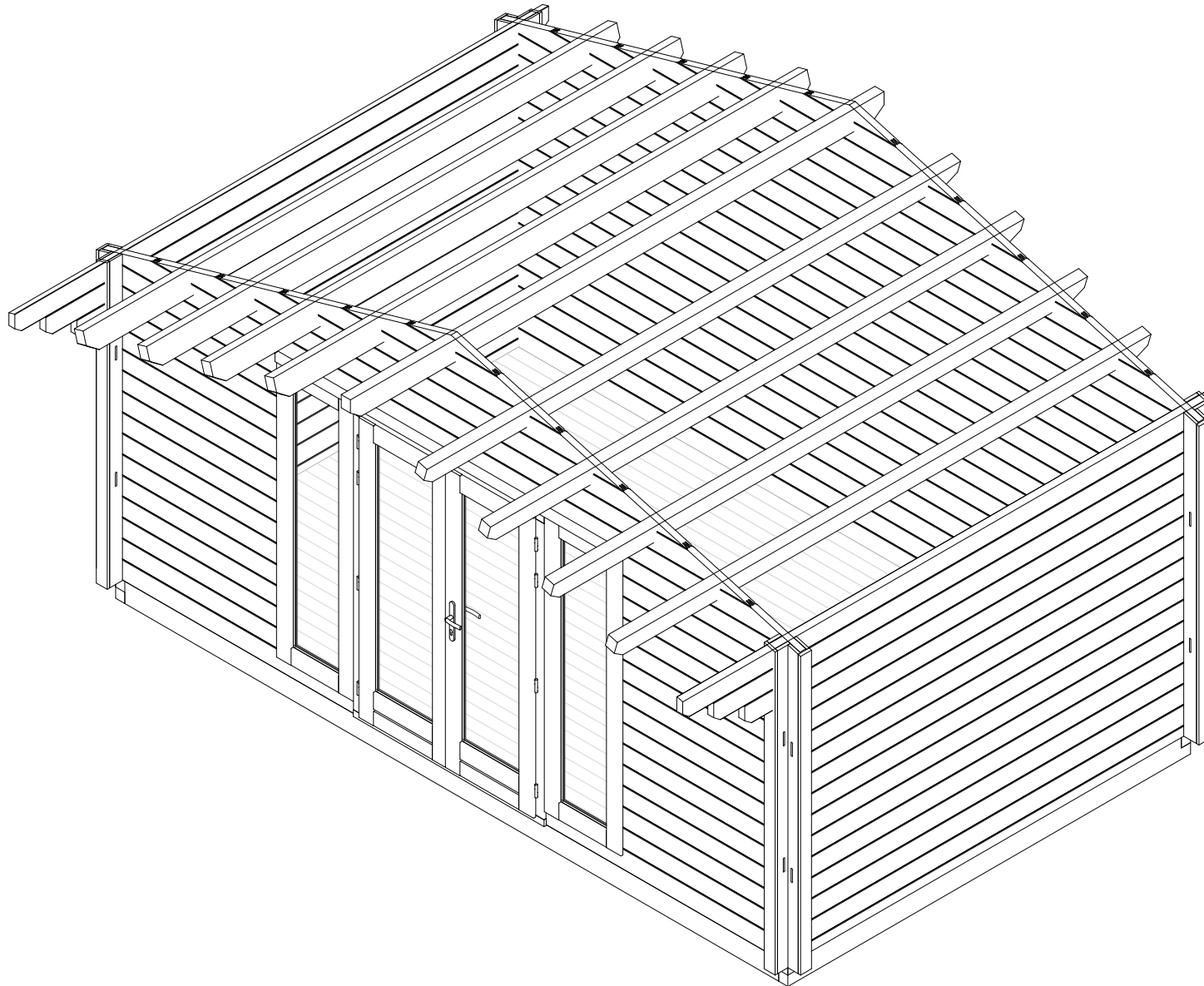
RKK

Sheet Nr.

AR - 2

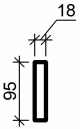
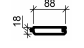
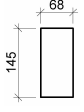
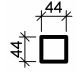
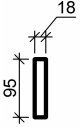
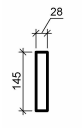
Date

08.07.2025
11:08:51

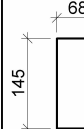
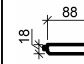
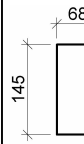
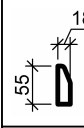


Project Nr.				
442-06-25LS Monaco 518x318cm 44mm				
ARCHITECTURE DRAWINGS	Scale	Drawer	Sheet Nr.	Date
		RKK	AR - 3	08.07.2025 11:08:52

ROOF PART SPECIFICATION

Type Image	Keynote	Description
	CB 18x95	Cover board
	RB 18x88	Roof board 18mm
	RJ 68x145	Roof joist 68x145
	RS 44x44	Roof side board 44x44
	WB 18x95	Wind board
	WB 28x145mm	Wind board 28x145mm

FLOOR PART SPECIFICATION

Type Image	Keynote	Description
	BB 145x68	Base beam 145x68
	FB	Floor board 18mm
	FJ 145x68	Floor joist 145x68
	FS	Floor skirting

DOOR SCHEDULE

Keynote	Count
SDD-3 Right	1
	1

WINDOW SCHEDULE

Keynote	Count
SFW-3 Vertical	2
	2

ROOF SCHEDULE

Roof type	Area
Roof finish area	23.1 m ²
	23.1 m ²

FLOOR SCHEDULE

Description	Area
Ground floor 18mm	14.3 m ²

Project Nr.

442-06-25LS Monaco 518x318cm 44mm

ARCHITECTURE
DRAWINGS

Scale

Drawer

Sheet Nr.

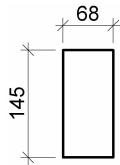
Date

RKK

AR - 4

08.07.2025
11:08:52

ROOF JOIST SPECIFICATION

Type Image	Keynote	Description	Type Comments
	RJ 68x145	Roof joist 68x145	Wood Joint - Bridle T AVAILABLE

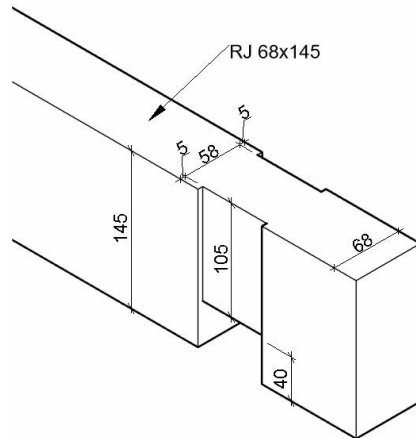
Availability:

Please review the specifications of the selected roof joists to ensure they are compatible with Bridle T joints. It is vital to ensure that these joints are available and suitable for your installation needs.

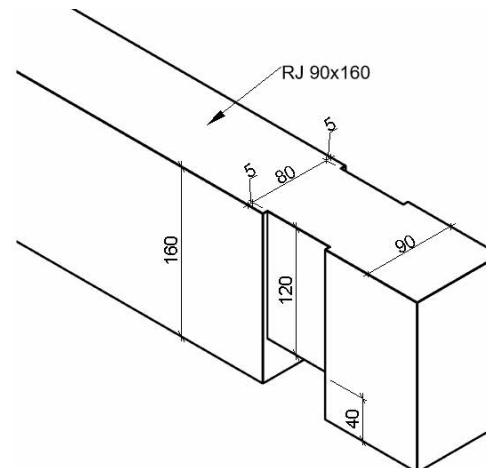
Customer and Dealer Responsibility:

The determination and acquisition of the appropriate wood joint type fall under the responsibility of both the dealer and the customer. Please verify that this joint type is not only suitable but also available before proceeding.

Wood Joint - Bridle T visual representation 68x145mm



Wood Joint - Bridle T visual representation 90x160mm



Project Nr.

442-06-25LS Monaco 518x318cm 44mm

ARCHITECTURE
DRAWINGS

Scale

Drawer

Sheet Nr.

Date

RKK

AR - 5

08.07.2025
11:08:52