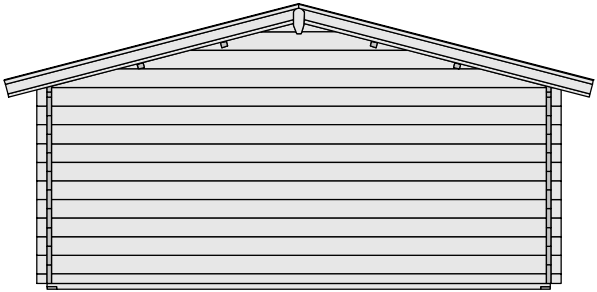
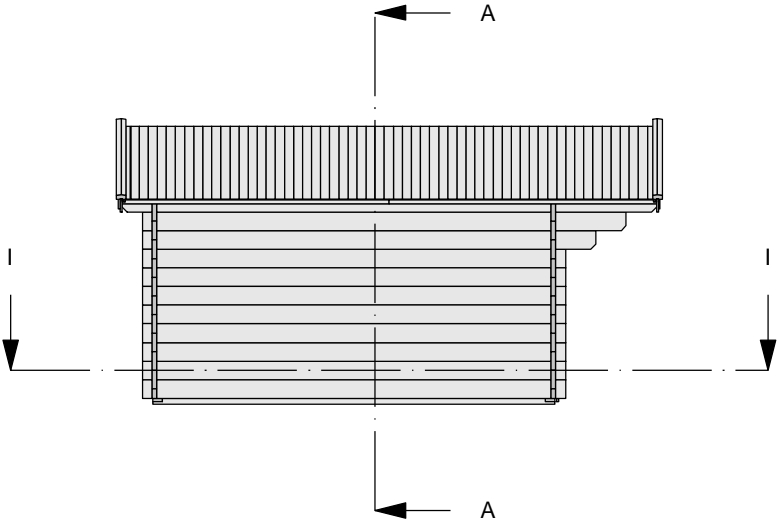
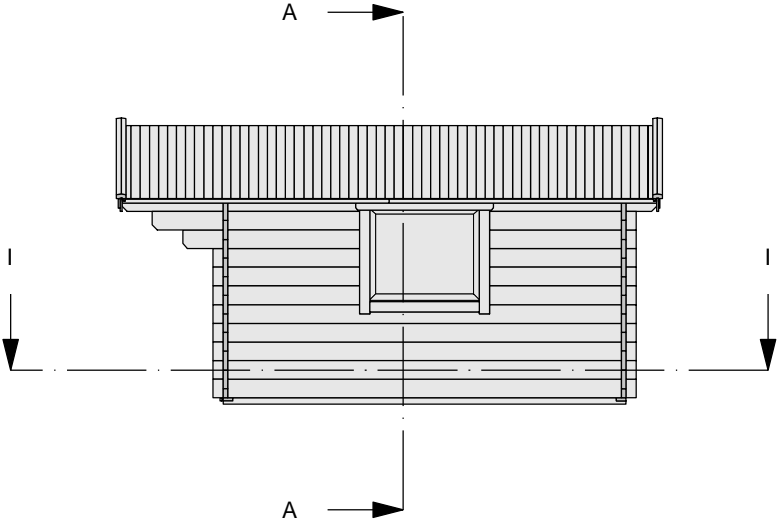


4,5

ST-230288

994140



4,5

ST-230288

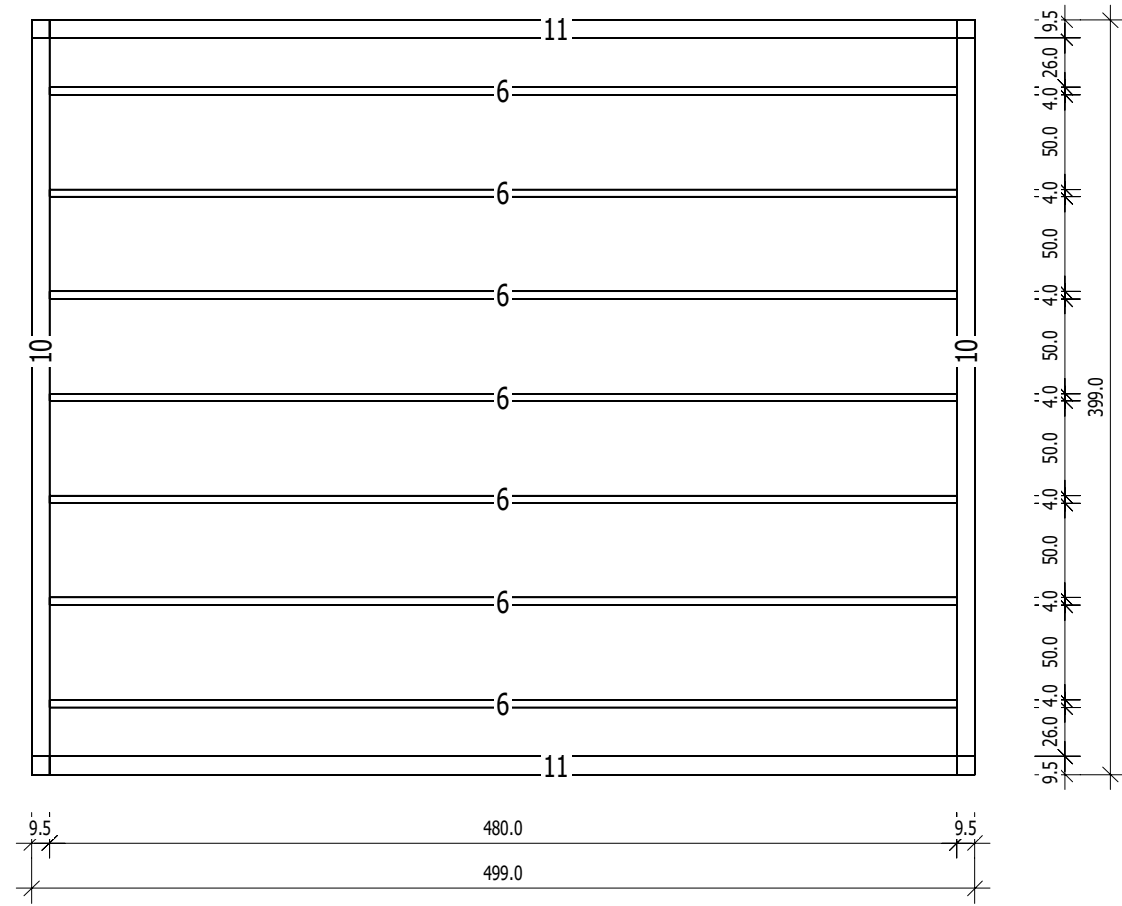
994140



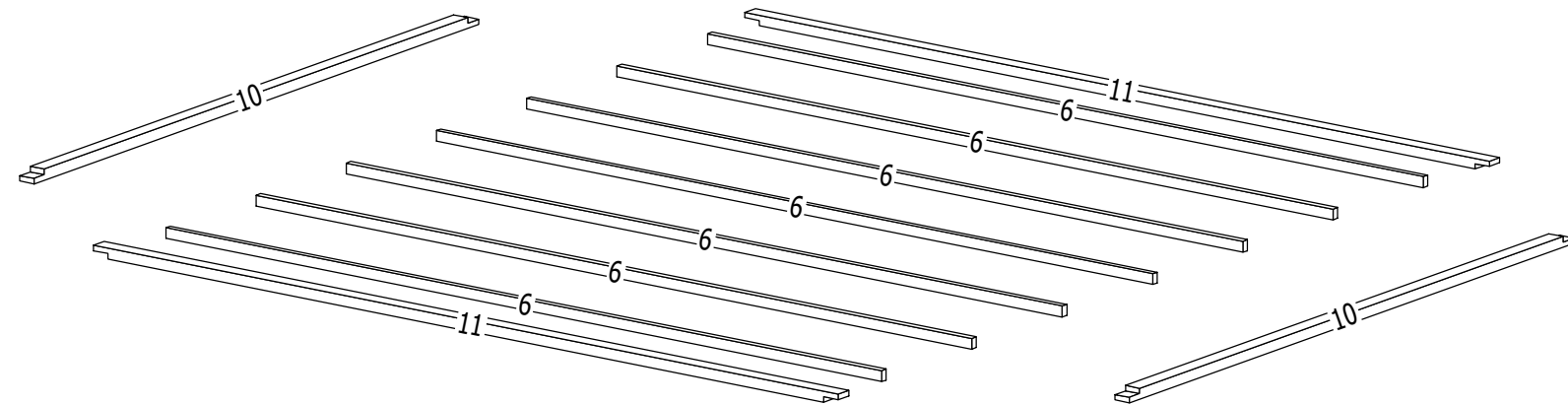
Notice: view of doors, windows and other details could be different in reality instead of view on this brochure



# Basis plan



Nr.	B	H	L	Psc
	cm	cm	cm	
6	4,0	6,0	480,0	7
10	9,5	6,0	399,0	2
11	9,5	6,0	499,0	2

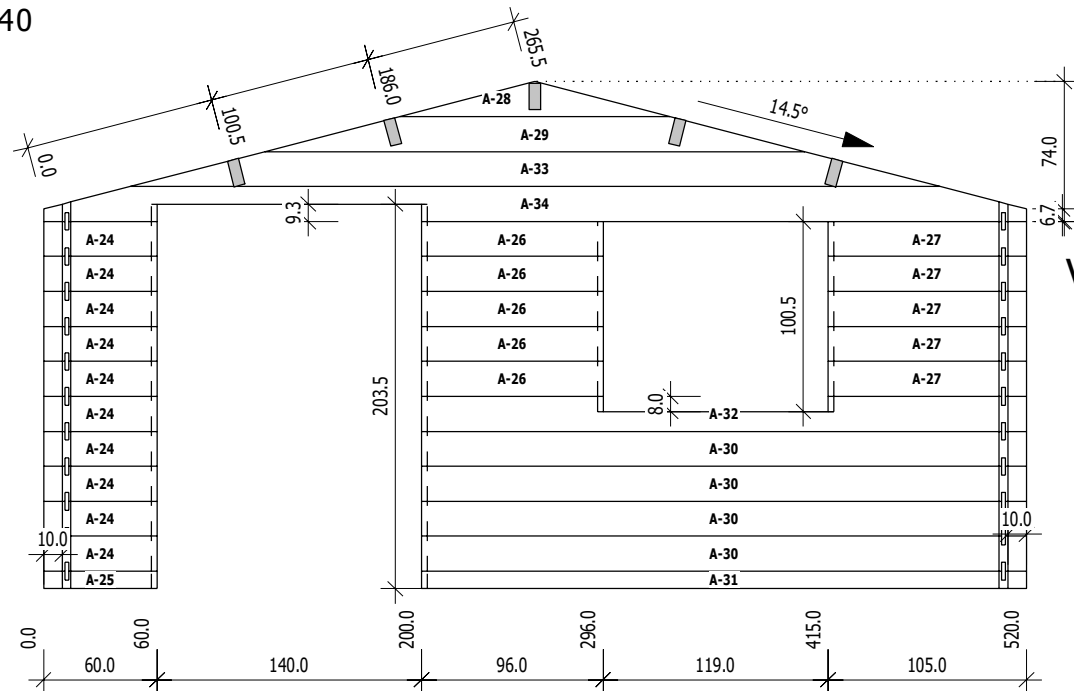


Projektas	Brežinys	Mastelis
Uzsakymo Nr.	Pagrindas	1 : 40
<b>ST-230288</b>		Data
		<b>2023-08-30</b>
		Projektavo
		<b>M. Rudinskiene</b>

4,5

**A** Gegnes 6,0x14,0

M 1:40

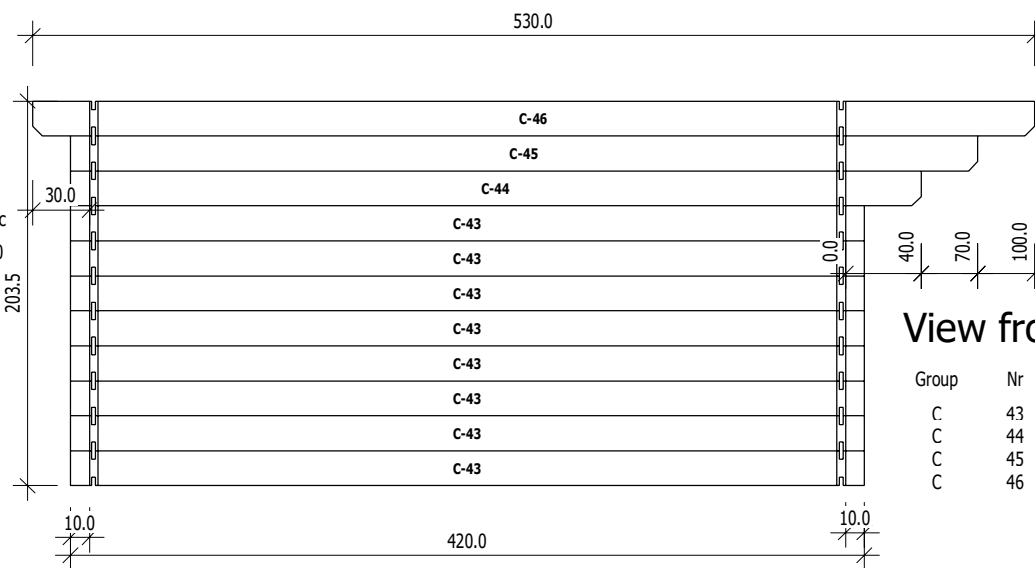


View from outside

Group	Nr	H	L	Psc
A	24	18.5	60.0	10
A	25	9.3	60.0	1
A	26	18.5	96.0	5
A	27	18.5	105.0	5
A	28	18.5	142.9	1
A	29	18.5	285.7	1
A	30	18.5	320.0	4
A	31	9.3	320.0	1
A	32	18.5	320.0	1
A	33	18.5	428.6	1
A	34	18.5	520.0	1

**C**

M 1:40

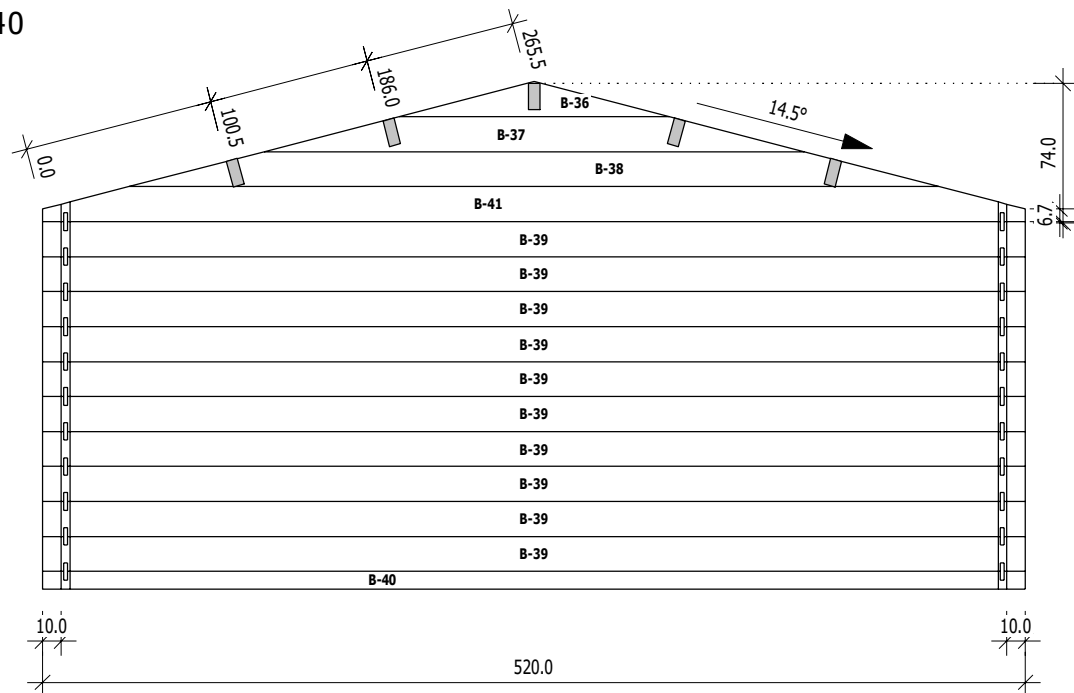


View from outside

Group	Nr	H	L	Psc
C	43	18.5	420.0	8
C	44	18.5	450.0	1
C	45	18.5	480.0	1
C	46	18.5	530.0	1

**B** Gegnes 6,0x14,0

M 1:40

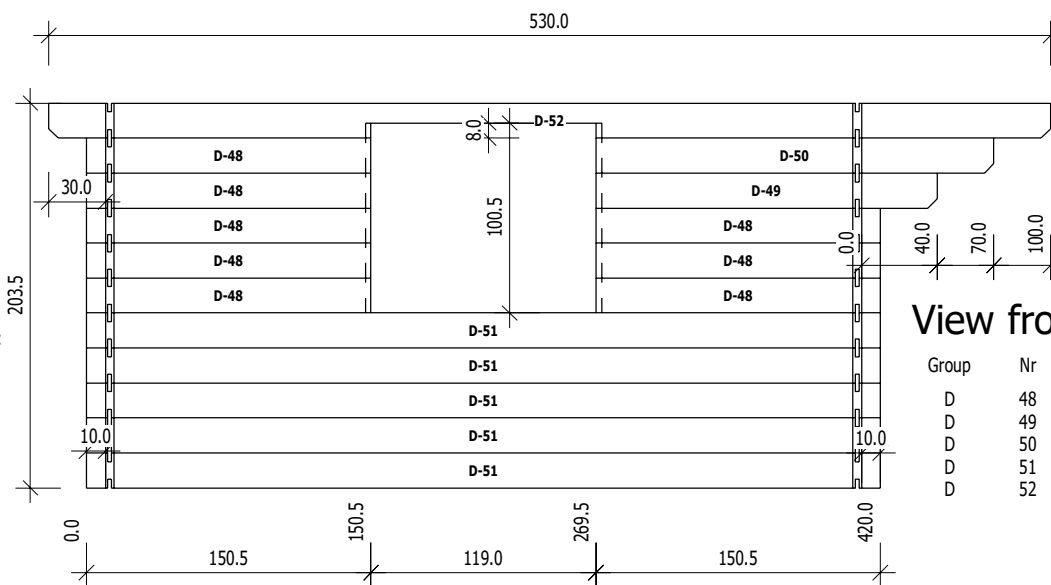


View from inside

Group	Nr	H	L	Psc
B	36	18.5	142.9	1
B	37	18.5	285.7	1
B	38	18.5	428.6	1
B	39	18.5	520.0	10
B	40	9.3	520.0	1
B	41	18.5	520.0	1

**D**

M 1:40



View from inside

Group	Nr	H	L	Psc
D	48	18.5	150.5	8
D	49	18.5	180.5	1
D	50	18.5	210.5	1
D	51	18.5	420.0	5
D	52	18.5	530.0	1

Atliko:	<b>M. Rudinskiene</b>	Data	Projekto. Nr.: <b>ST-230288</b>	Namelio modelis:
		2023-08-30	Grupe(siena): <b>A,B,C,D</b>	
			Sienos storis: 4.5cm	