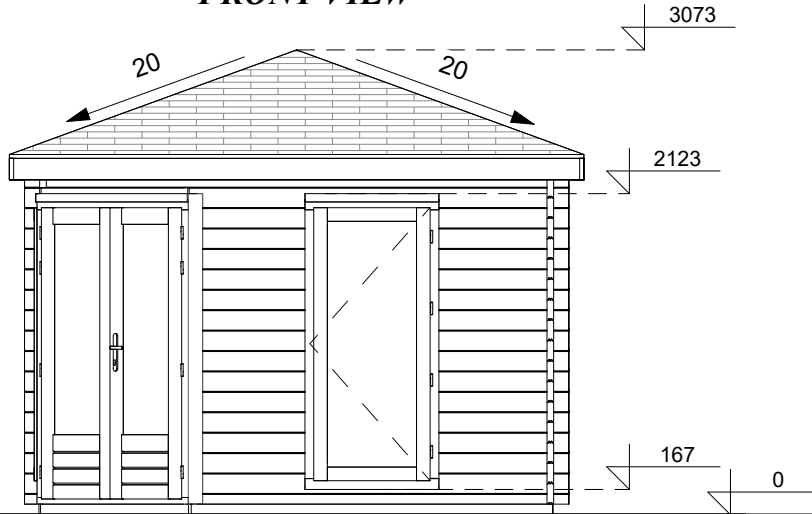
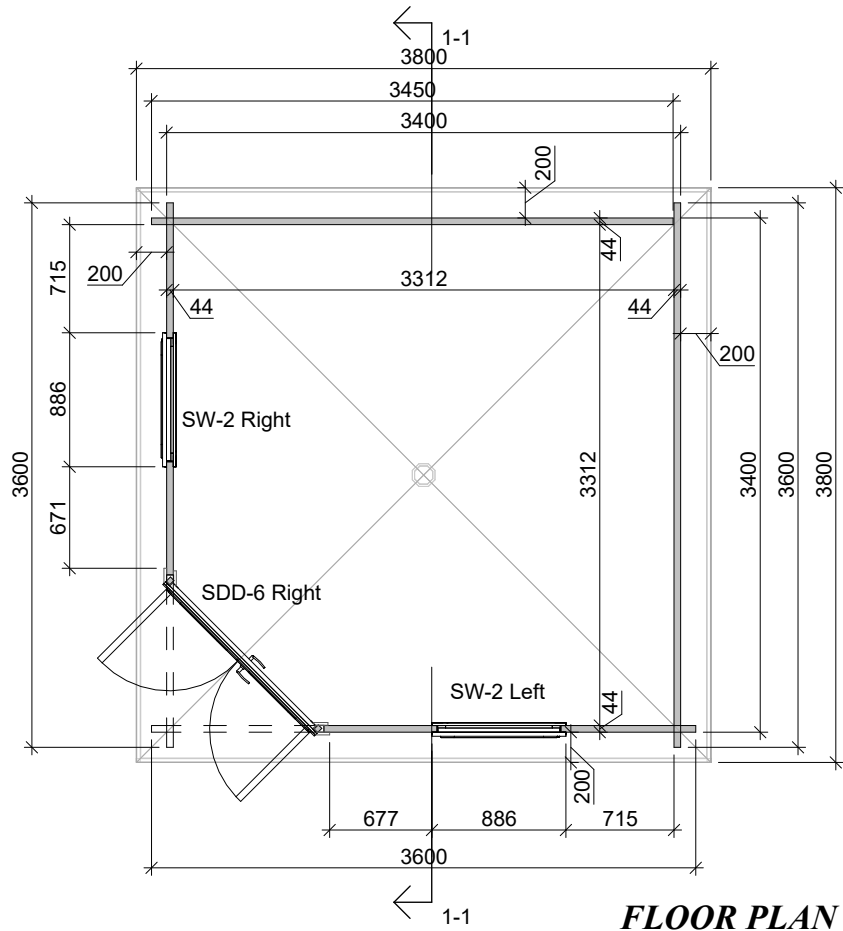
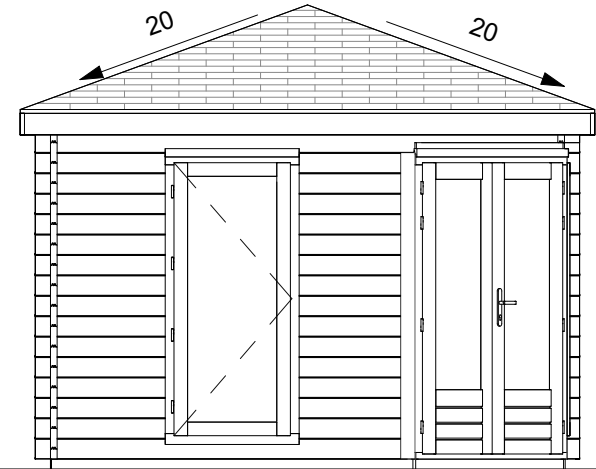


**FRONT VIEW**

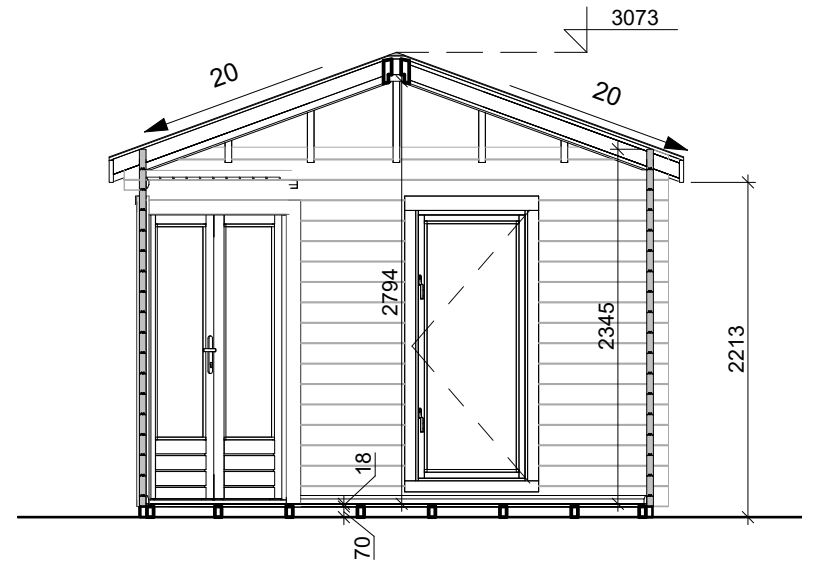


**LEFT SIDE VIEW**



**FLOOR PLAN**

**SECTION 1-1**

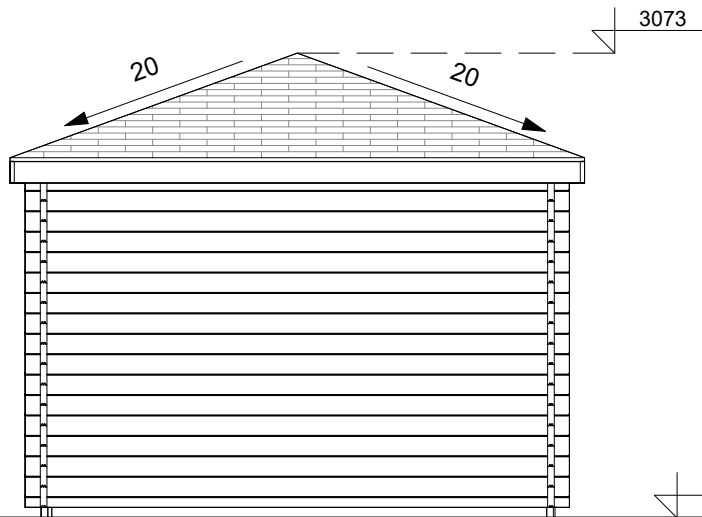


Project Nr.

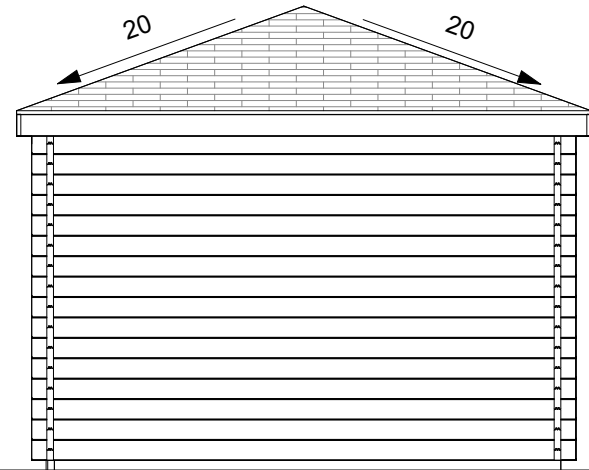
**128-03-24LS Log cabin 360x360cm 44mm**

ARCHITECTURE DRAWINGS	Scale	Drawer	Sheet Nr.	Date
	1 : 50	RB	AR - 1	22.03.2024 09:36:55

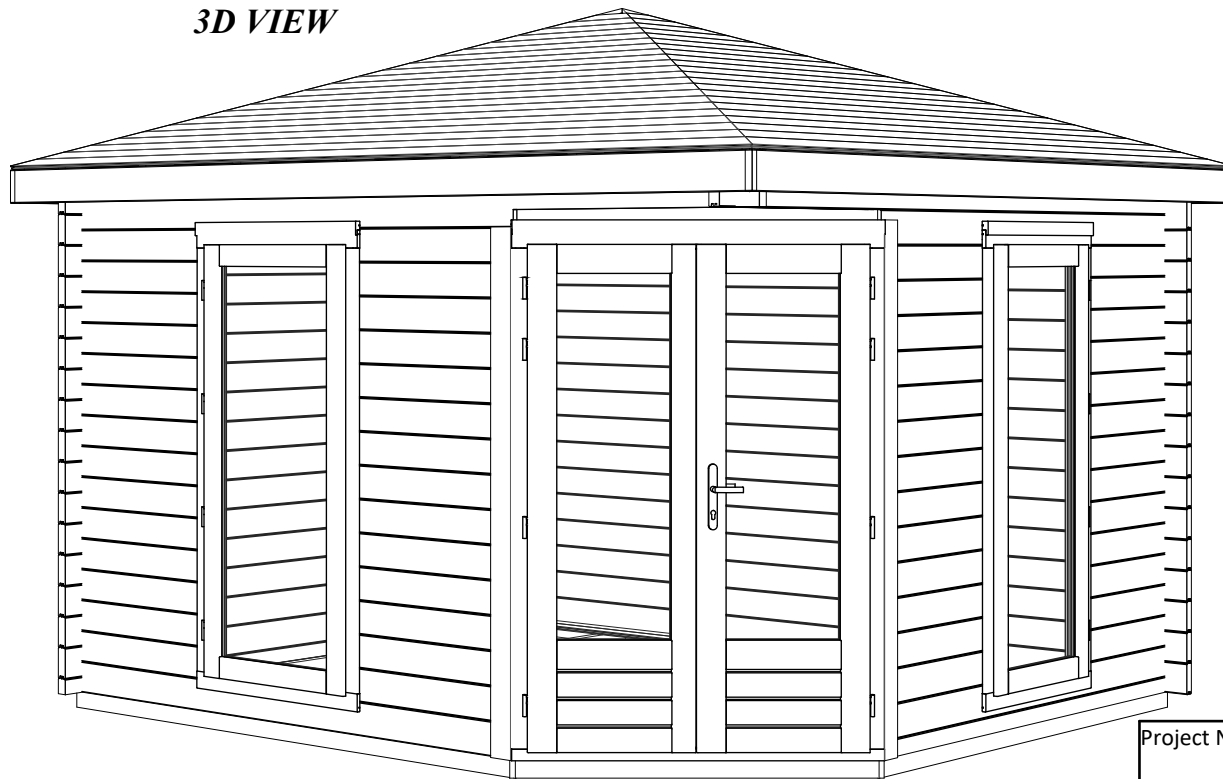
**REAR VIEW**



**RIGHT SIDE VIEW**



**3D VIEW**



**FLOOR SCHEDULE**

Description	Area
Ground floor 18mm	10.5 m <sup>2</sup>
Ceiling 18mm	0.4 m <sup>2</sup>

Project Nr.

**128-03-24LS Log cabin 360x360cm 44mm**

ARCHITECTURE  
DRAWINGS

Scale

1 : 50

Drawer

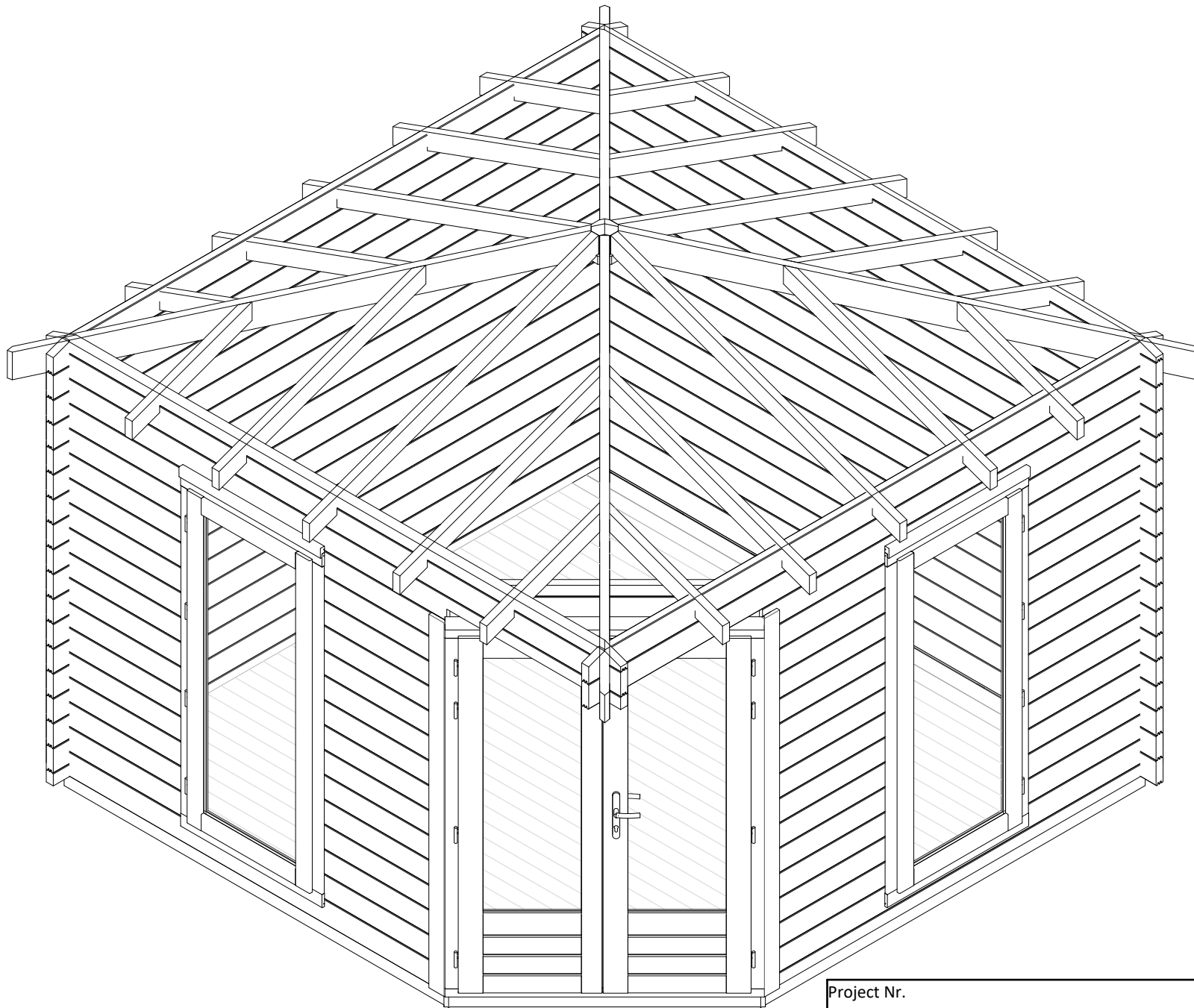
RB

Sheet Nr.

AR - 2

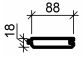
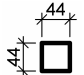
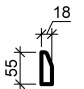
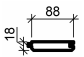
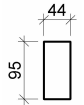
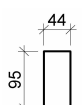
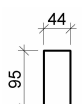
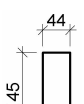
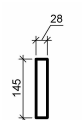
Date

22.03.2024  
09:36:57

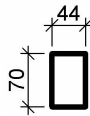
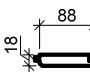
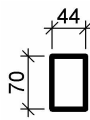
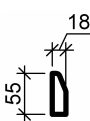


Project Nr.				
<b>128-03-24LS Log cabin 360x360cm 44mm</b>				
ARCHITECTURE DRAWINGS	Scale	Drawer	Sheet Nr.	Date
		RB	AR - 3	22.03.2024 09:36:58

### ROOF PART SPECIFICATION

Type Image	Keynote	Description
	CB 18x88	Ceiling board 18mm
	CB 44x44	Ceiling side board 44x44
	Center piece	Center piece
	CS	Ceiling skirting
	RB 18x88	Roof board 18mm
	RJ 44x95	Roof joist 44x95
	RJ 44x95 L	Roof joist 44x95 L
	RJ 44x95 R	Roof joist 44x95 R
	RJ 44x145	Roof joist 44x145
	WB 28x145mm	Wind board 28x145mm

### FLOOR PART SPECIFICATION

Type Image	Keynote	Description
	BB 70x44	Base beam 70x44
	FB	Floor board 18mm
	FJ 70x44	Floor joist
	FS	Floor skirting

### DOOR SCHEDULE

Keynote	Count
SDD-6 Right	1
	1

### WINDOW SCHEDULE

Keynote	Count
SW-2 Left	1
SW-2 Right	1
	2

### ROOF SCHEDULE

Roof type	Area
Apex	15 m <sup>2</sup>
	15 m <sup>2</sup>

### FLOOR SCHEDULE

Description	Area
Ground floor 18mm	10.5 m <sup>2</sup>
Ceiling 18mm	0.4 m <sup>2</sup>

Project Nr.

**128-03-24LS Log cabin 360x360cm 44mm**

ARCHITECTURE  
DRAWINGS

Scale

Drawer

Sheet Nr.

Date

RB

AR - 4

22.03.2024  
09:36:58