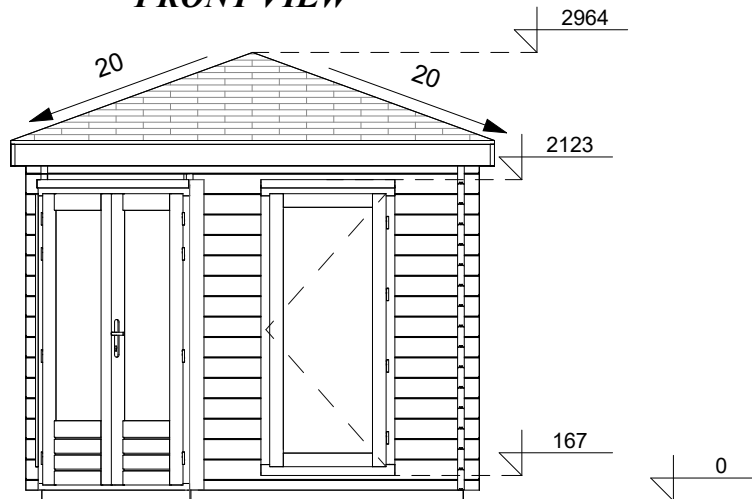
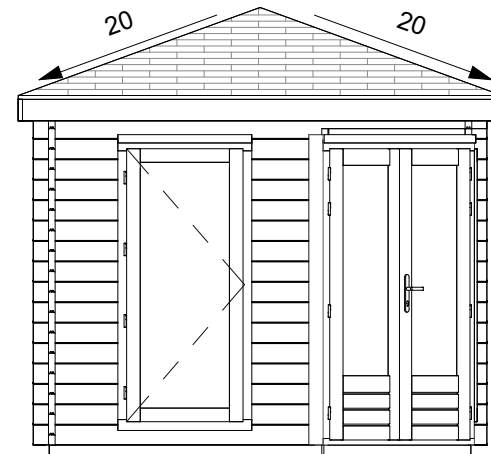


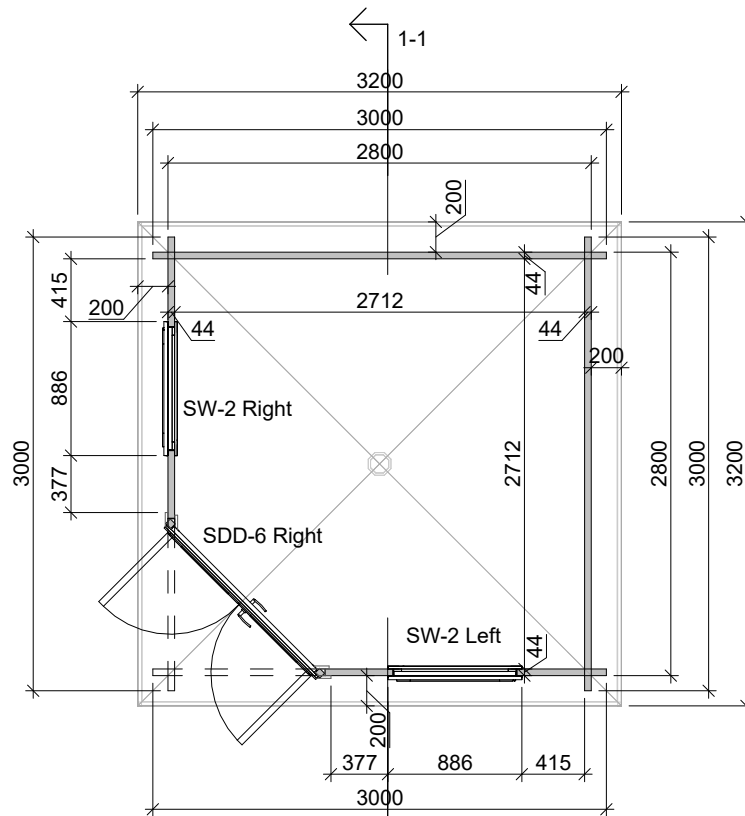
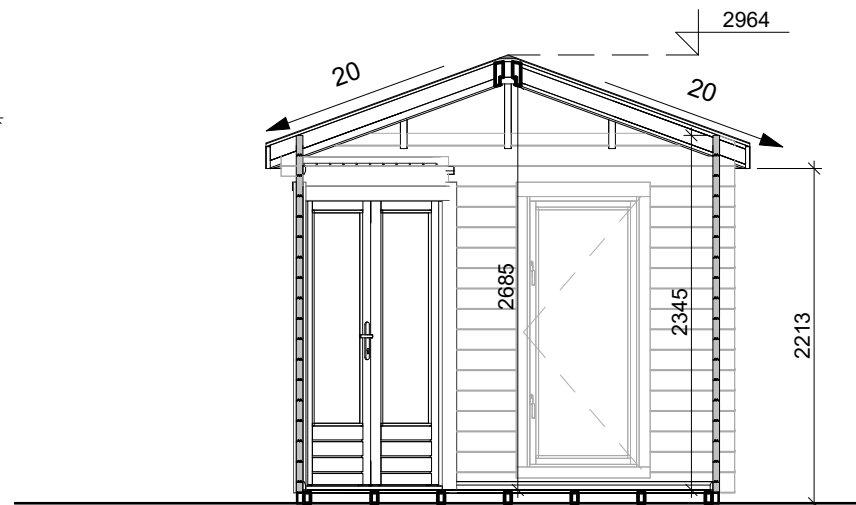
**FRONT VIEW**



**LEFT SIDE VIEW**



**SECTION 1-1**



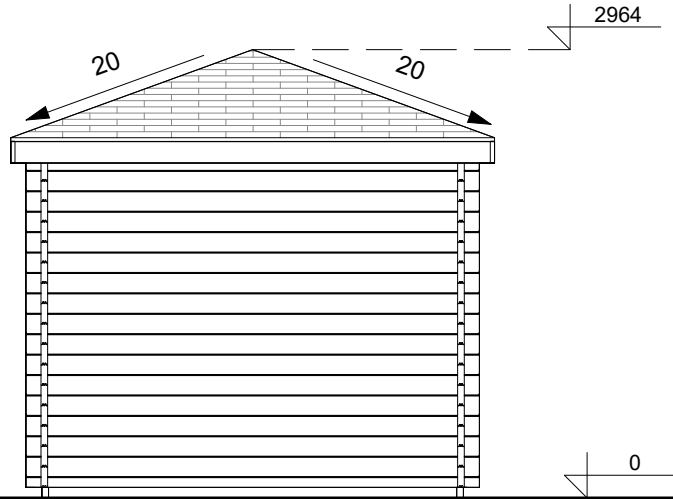
**FLOOR PLAN**

Project Nr.

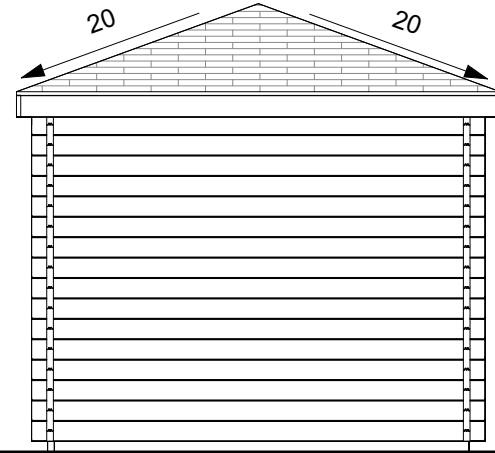
**127-03-24LS Log cabin 300x300cm 44mm**

| ARCHITECTURE DRAWINGS | Scale  | Drawer | Sheet Nr. | Date                   |
|-----------------------|--------|--------|-----------|------------------------|
|                       | 1 : 50 | RB     | AR - 1    | 22.03.2024<br>09:16:21 |

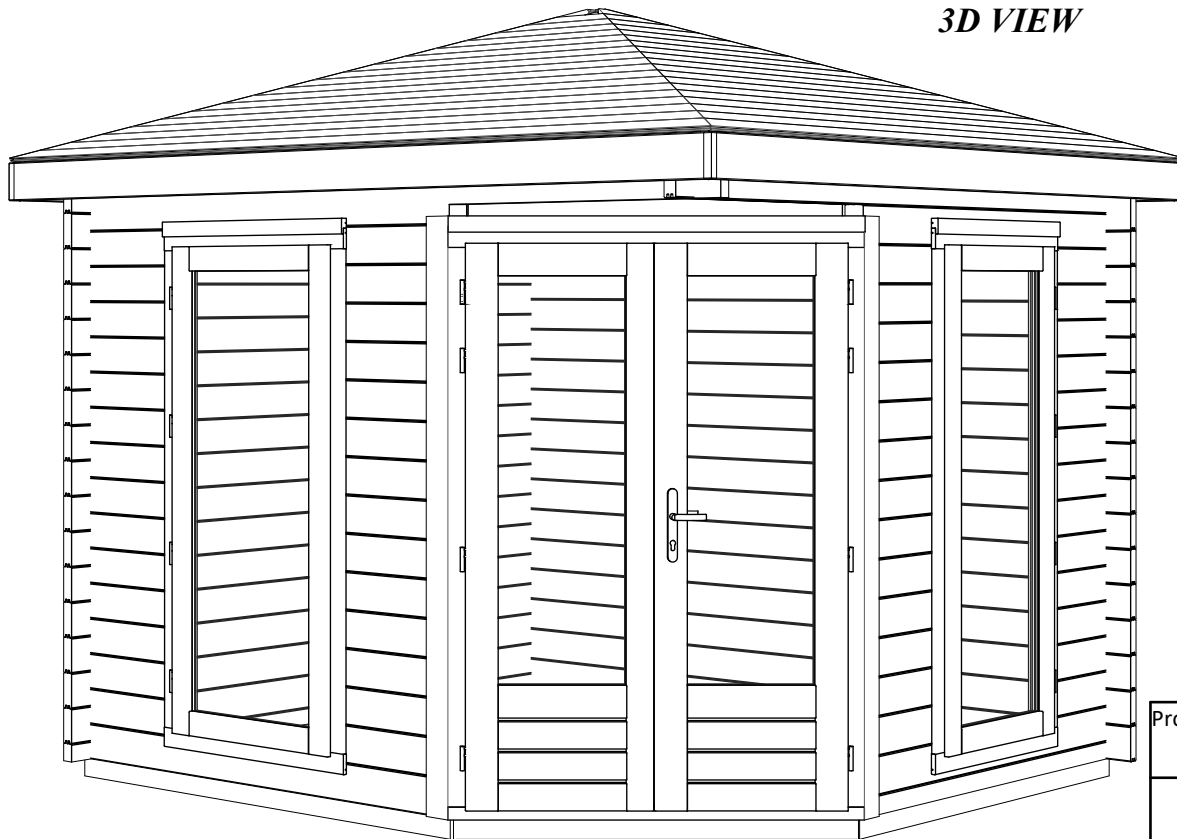
**REAR VIEW**



**RIGHT SIDE VIEW**



**3D VIEW**



**FLOOR SCHEDULE**

| Description       | Area               |
|-------------------|--------------------|
| Ground floor 18mm | 6.9 m <sup>2</sup> |
| Ceiling 18mm      | 0.4 m <sup>2</sup> |

Project Nr.

**127-03-24LS Log cabin 300x300cm 44mm**

ARCHITECTURE  
DRAWINGS

Scale

1 : 50

Drawer

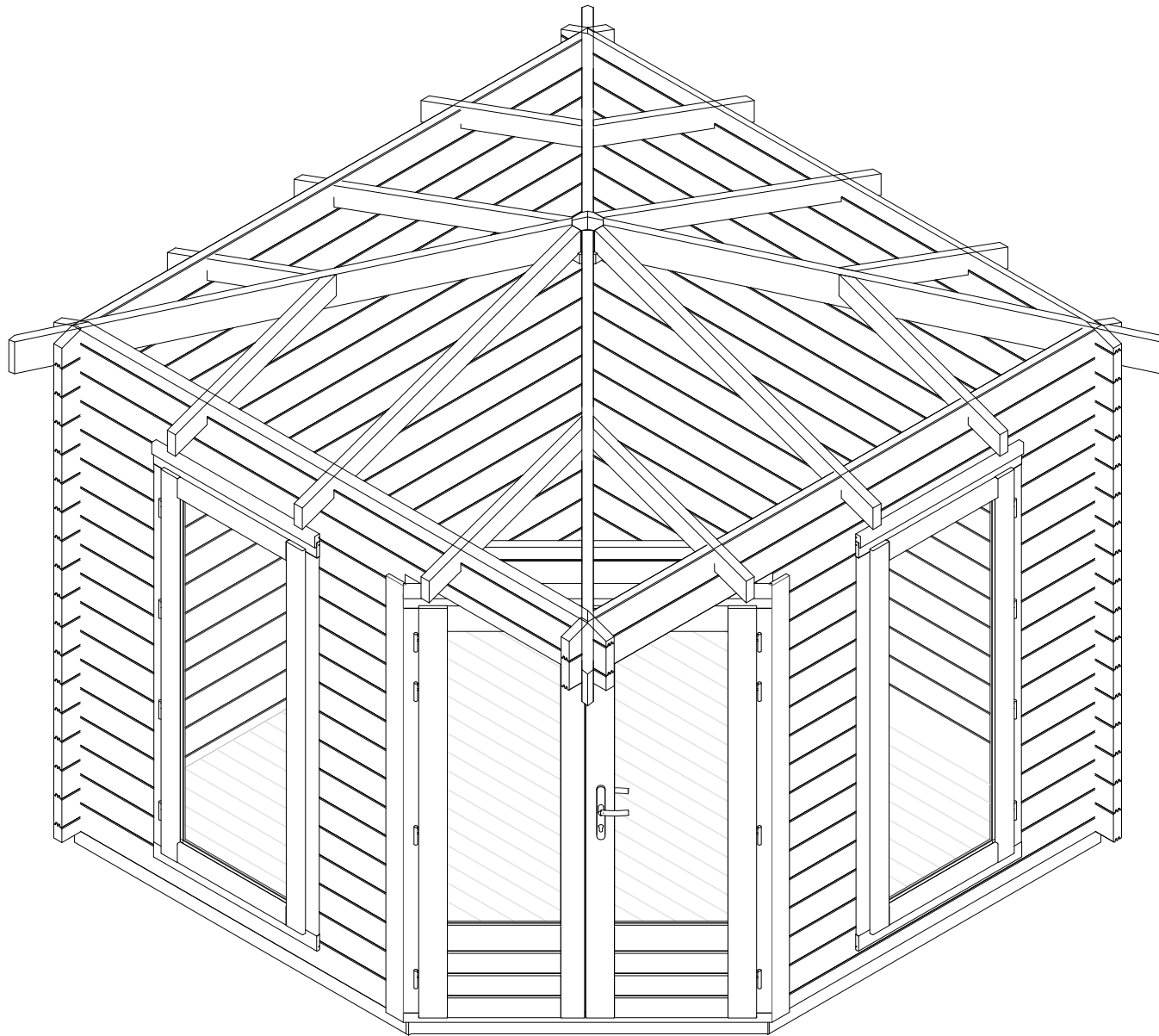
RB

Sheet Nr.

AR - 2

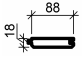
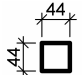
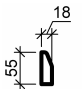
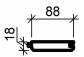
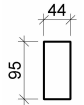
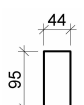
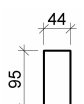
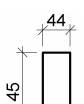
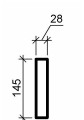
Date

22.03.2024  
09:16:22

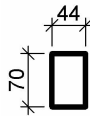
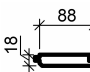
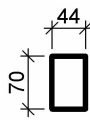
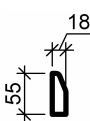


|   |       |        |           |                        |
|---|-------|--------|-----------|------------------------|
| Project Nr.                                 |       |        |           |                        |
| <b>127-03-24LS Log cabin 300x300cm 44mm</b> |       |        |           |                        |
| ARCHITECTURE<br>DRAWINGS                    | Scale | Drawer | Sheet Nr. | Date                   |
|   |       | RB     | AR - 3    | 22.03.2024<br>09:16:23 |

### ROOF PART SPECIFICATION

| Type Image  | Keynote        | Description              |
|---|----------------|--------------------------|
|    | CB 18x88       | Ceiling board 18mm       |
|    | CB 44x44       | Ceiling side board 44x44 |
|   | Center piece   | Center piece             |
|    | CS             | Ceiling skirting         |
|    | RB 18x88       | Roof board 18mm          |
|    | RJ 44x95       | Roof joist 44x95         |
|    | RJ 44x95 L     | Roof joist 44x95 L       |
|   | RJ 44x95 R     | Roof joist 44x95 R       |
|  | RJ 44x145      | Roof joist 44x145        |
|  | WB<br>28x145mm | Wind board<br>28x145mm   |

### FLOOR PART SPECIFICATION

| Type Image  | Keynote  | Description      |
|---|----------|------------------|
|  | BB 70x44 | Base beam 70x44  |
|  | FB       | Floor board 18mm |
|  | FJ 70x44 | Floor joist      |
|  | FS       | Floor skirting   |

### DOOR SCHEDULE

| Keynote     | Count |
|-------------|-------|
| SDD-6 Right | 1     |
|             | 1     |

### WINDOW SCHEDULE

| Keynote    | Count |
|------------|-------|
| SW-2 Left  | 1     |
| SW-2 Right | 1     |
|            | 2     |

### ROOF SCHEDULE

| Roof type | Area              |
|-----------|-------------------|
| Apex      | 11 m <sup>2</sup> |
|           | 11 m <sup>2</sup> |

### FLOOR SCHEDULE

| Description       | Area               |
|-------------------|--------------------|
| Ground floor 18mm | 6.9 m <sup>2</sup> |
| Ceiling 18mm      | 0.4 m <sup>2</sup> |

Project Nr.

**127-03-24LS Log cabin 300x300cm 44mm**

ARCHITECTURE  
DRAWINGS

Scale

Drawer

Sheet Nr.

Date

RB

AR - 4

22.03.2024  
09:16:23