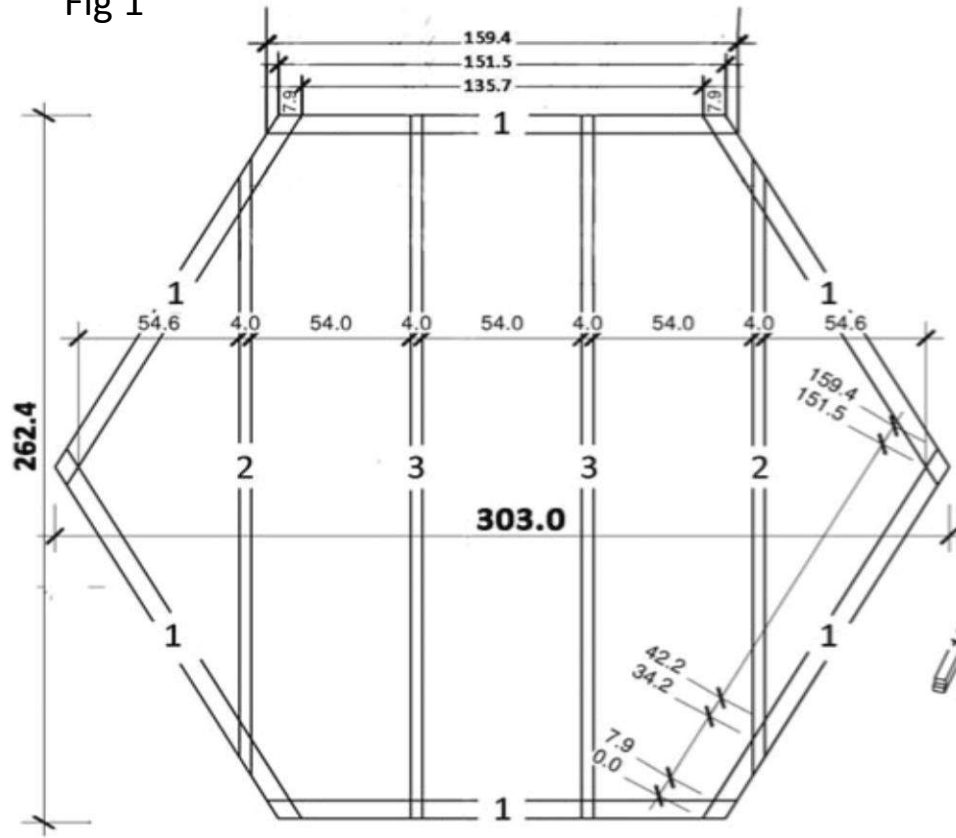


LOGSPAN

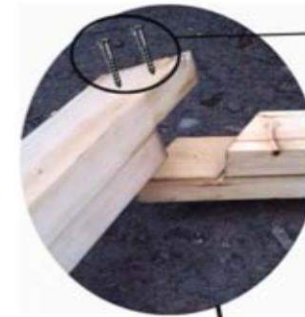
The logo for LOGSPAN is rendered in a green, serif font. The letter 'A' is replaced by a stylized tree icon with a triangular canopy and a trunk. A horizontal line is positioned below the text, with the tree's trunk extending through it.

BBQ HUT BUILD INSTRUCTIONS (Part 2 – Pictures)

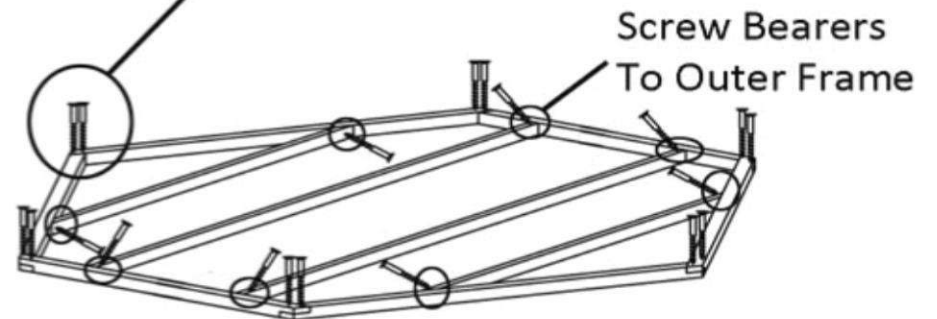
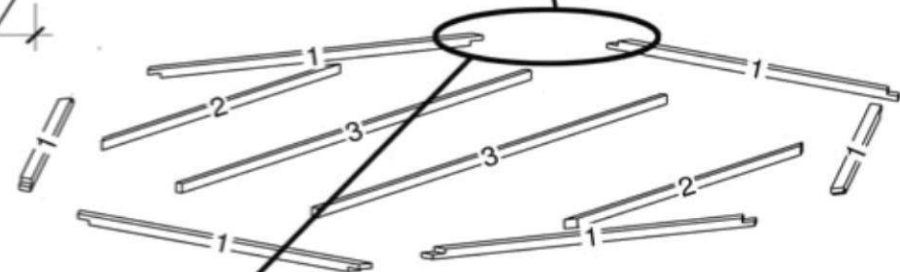
Fig 1



Finman BBQ Hut 10 Person (3m Diameter) Base Dimensions & Set up

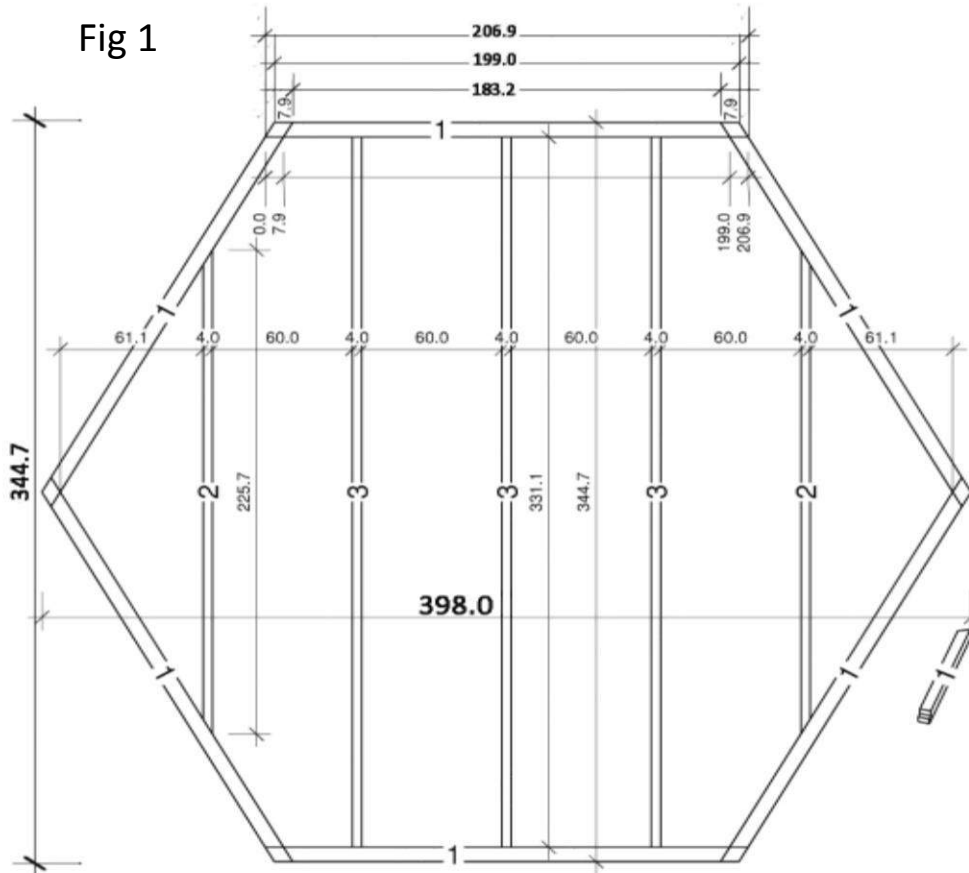


Screw Corner
Frame Together

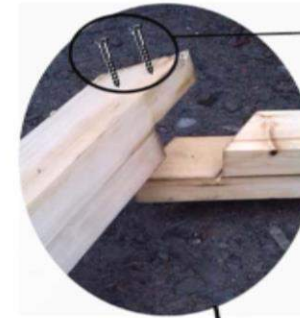


Part No	Qty	Size
No 1 :	(6)	6.8cm x 6cm x 159.4cm
No 2 :	(2)	6cm x 4cm x 230.4cm
No 3 :	(2)	6cm x 4cm x 262.4cm

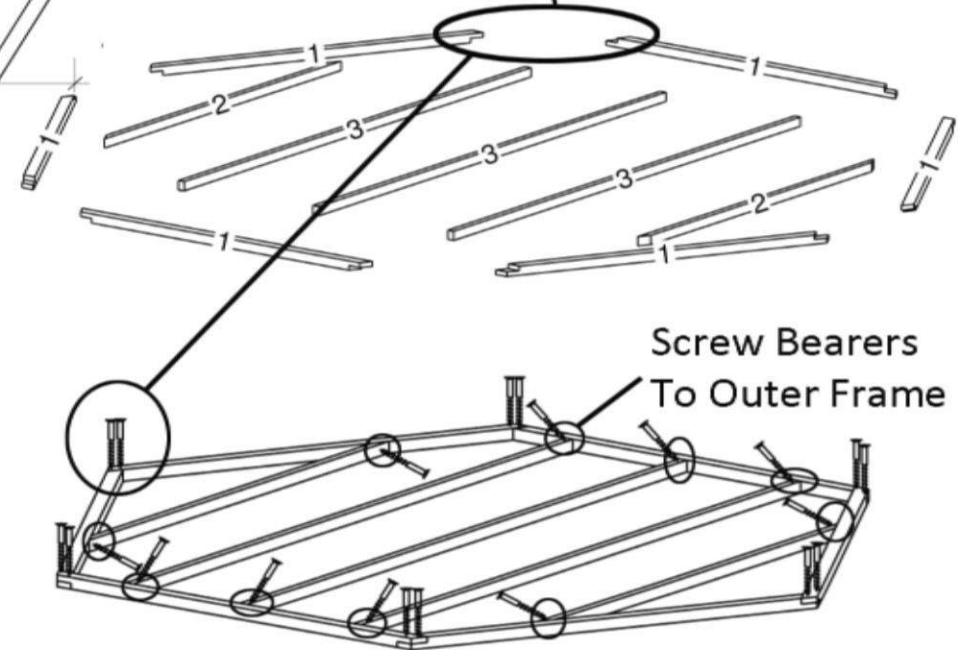
Fig 1



Finman BBQ Hut 11m2 (4m Diameter) Base Dimensions & Set up



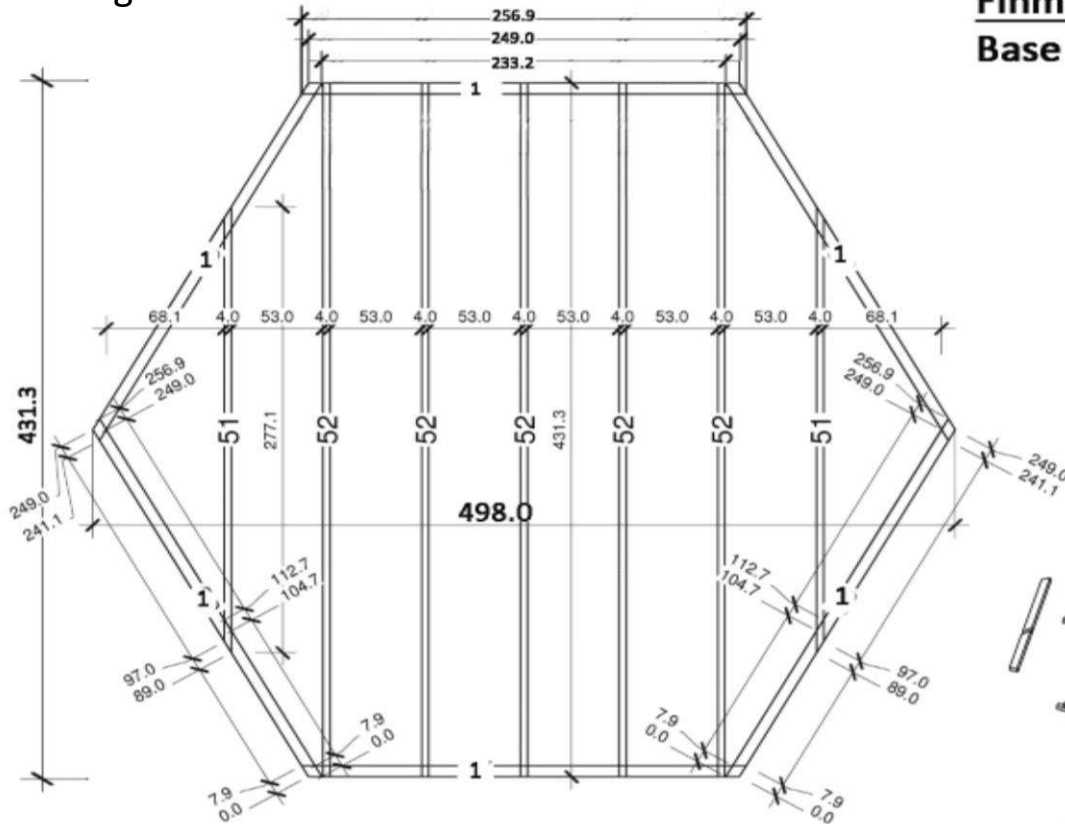
Screw Corner
Frame Together



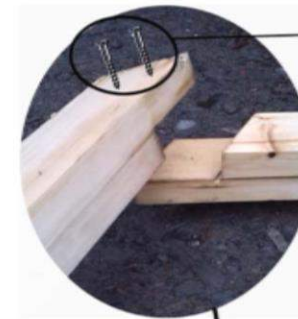
Screw Bearers
To Outer Frame

Part No	Qty	Size
No 1 :	(6)	6.8cm x 6cm x 206.9cm
No 2 :	(2)	6cm x 4cm x 225.7cm
No 3 :	(3)	6cm x 4cm x 331.1cm

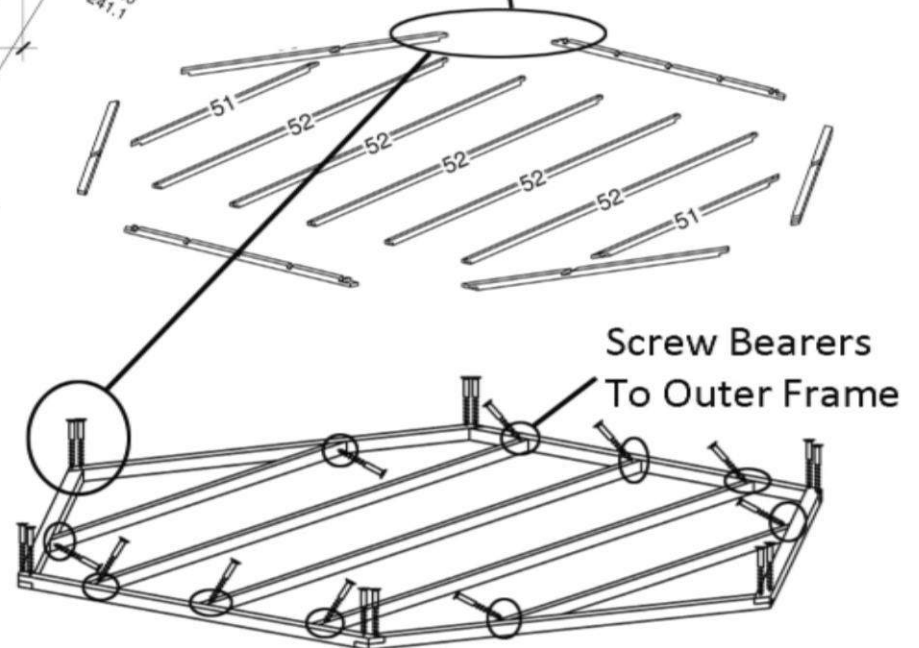
Fig 1



Finman BBQ Hut 17m2 (5m Diameter) Base Dimensions & Set up

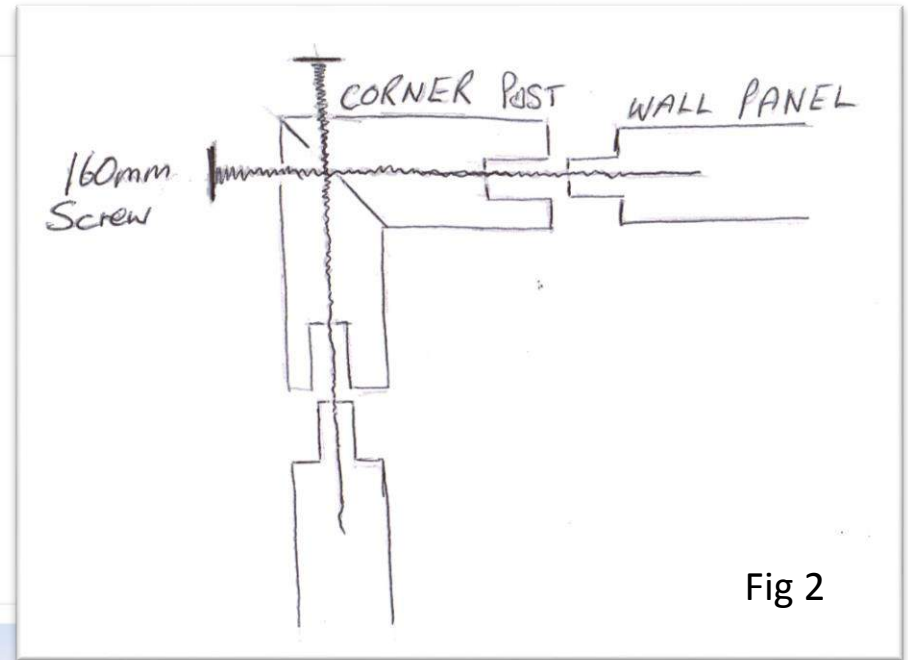
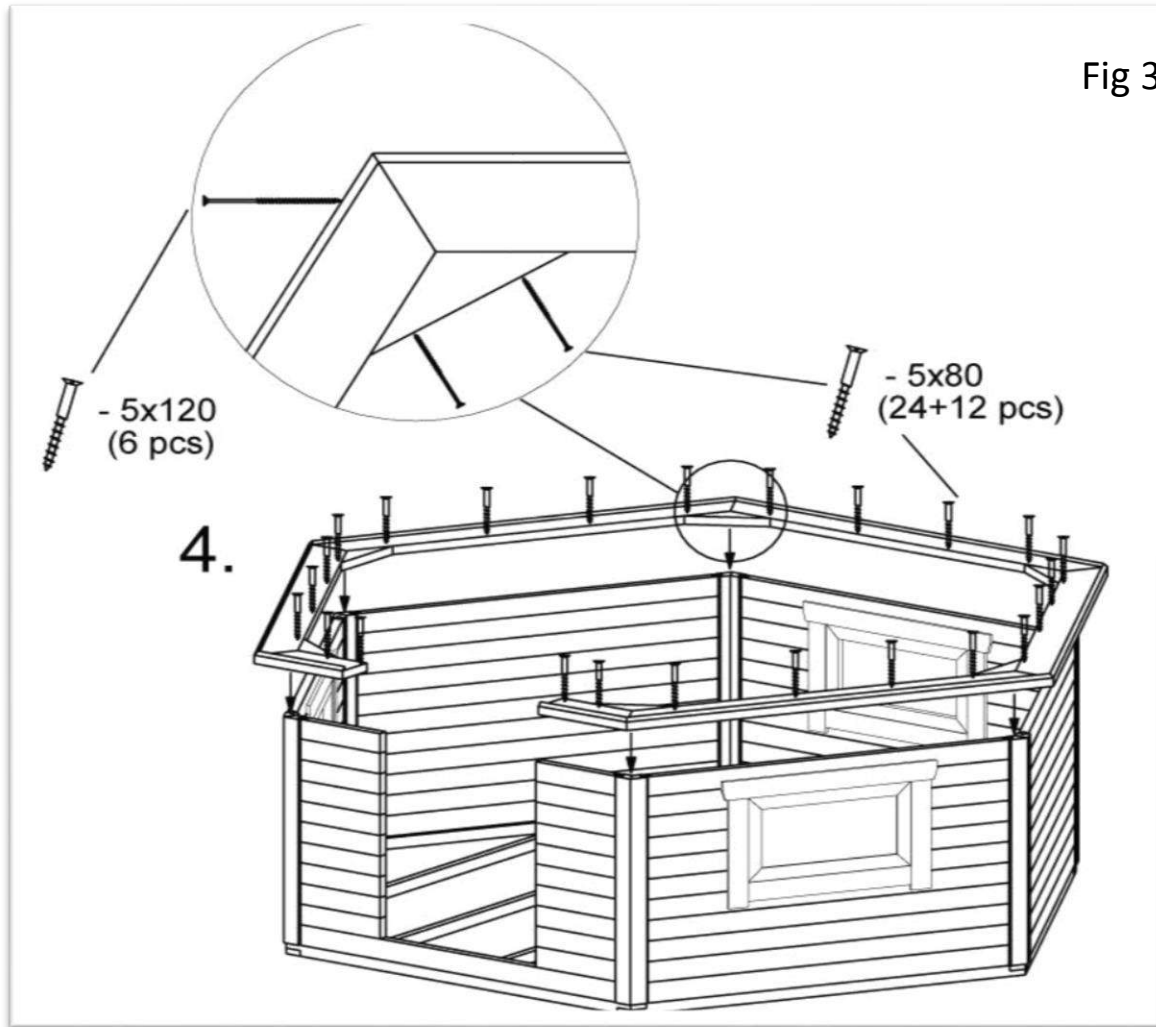


Screw Corner
Frame Together



Screw Bearers
To Outer Frame

Part No	Qty	Size
No 1 :	(6)	6.8cm x 6cm x 256.9cm
No 2 :	(2)	6cm x 4cm x 277.1cm
No 3 :	(5)	6cm x 4cm x 431.3cm



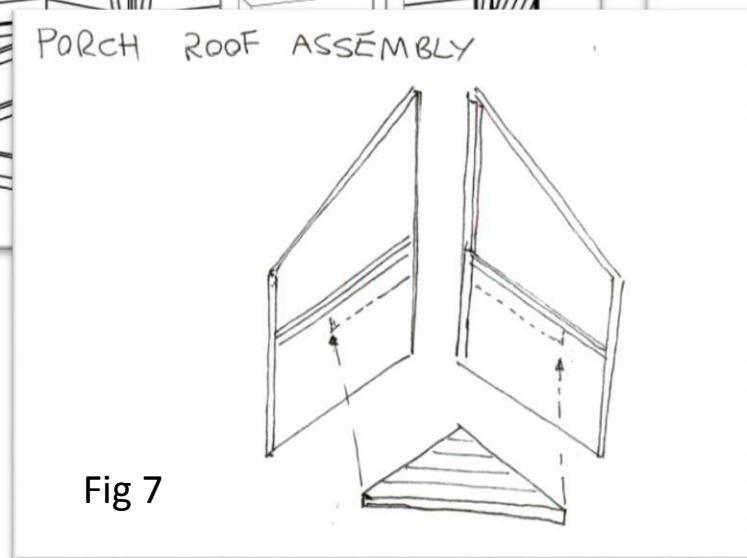
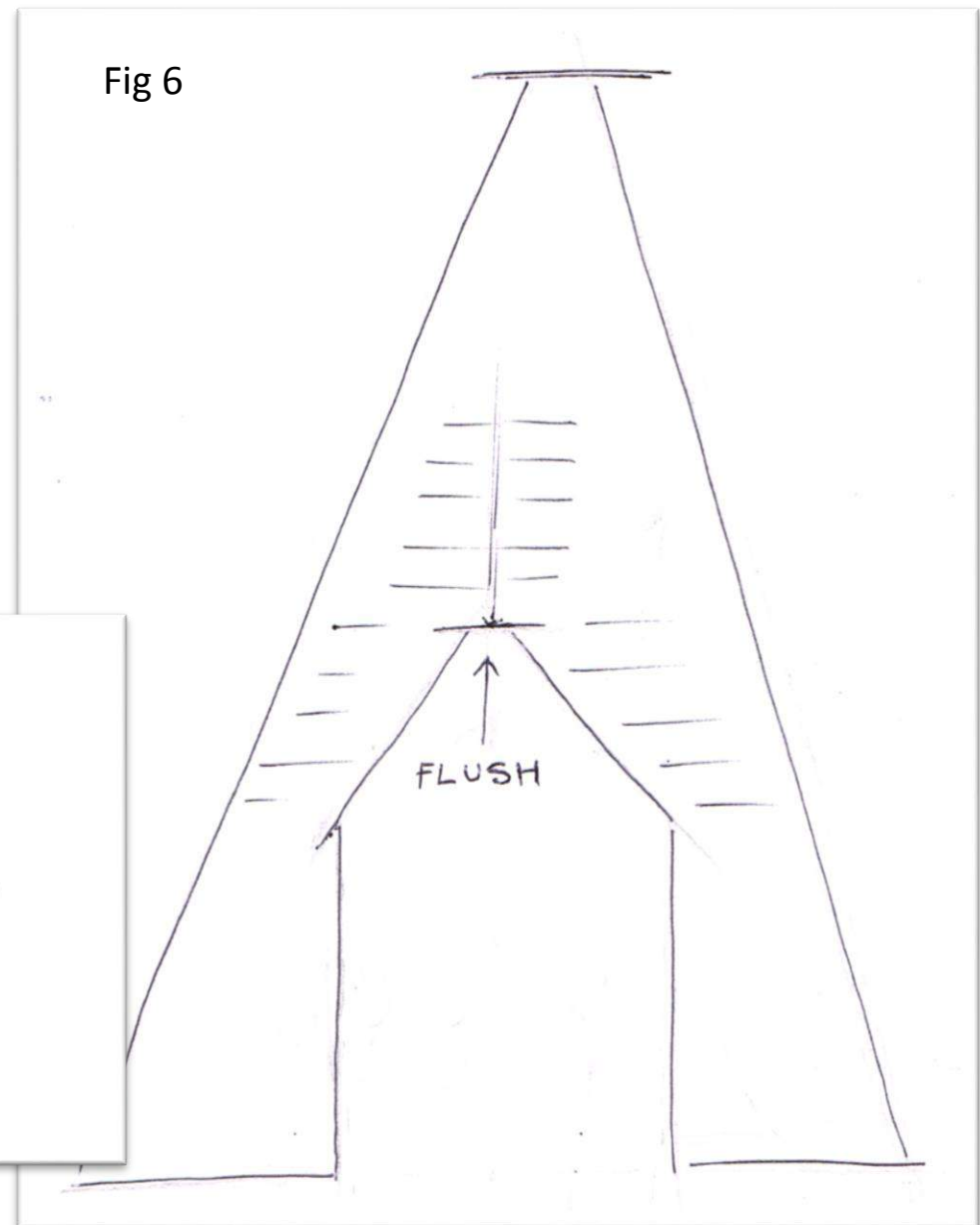
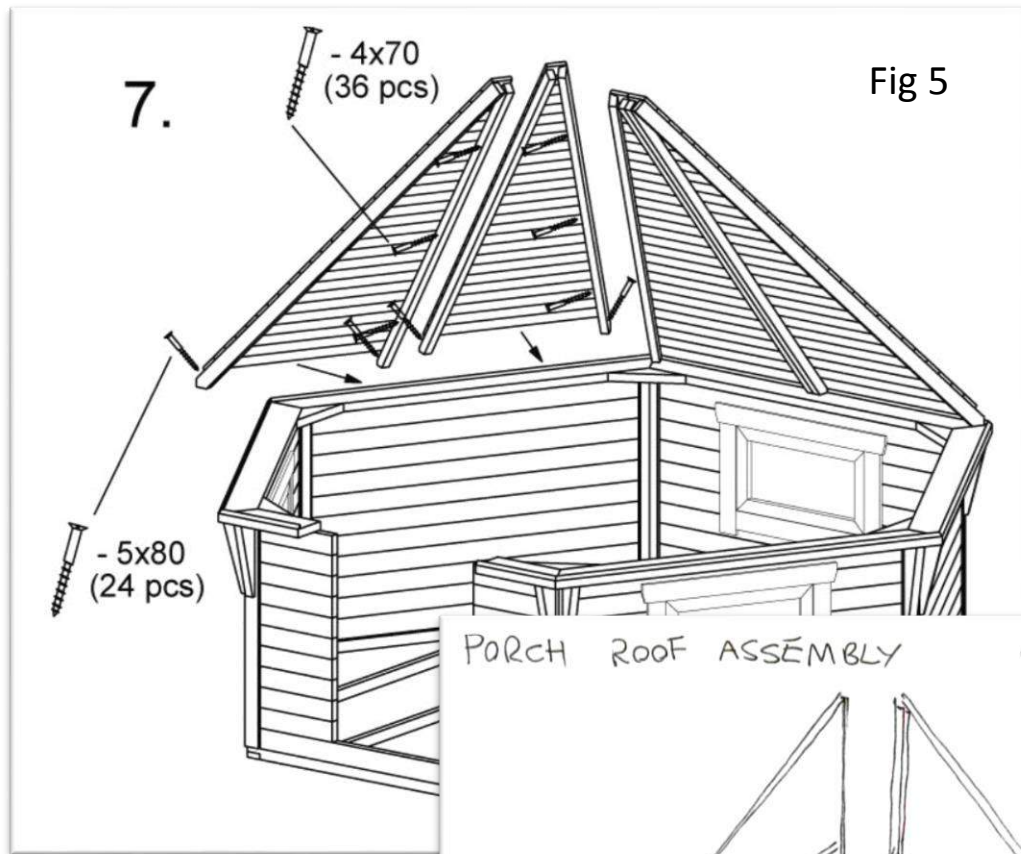


Fig 8

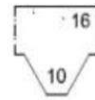
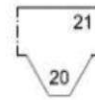
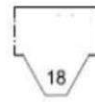
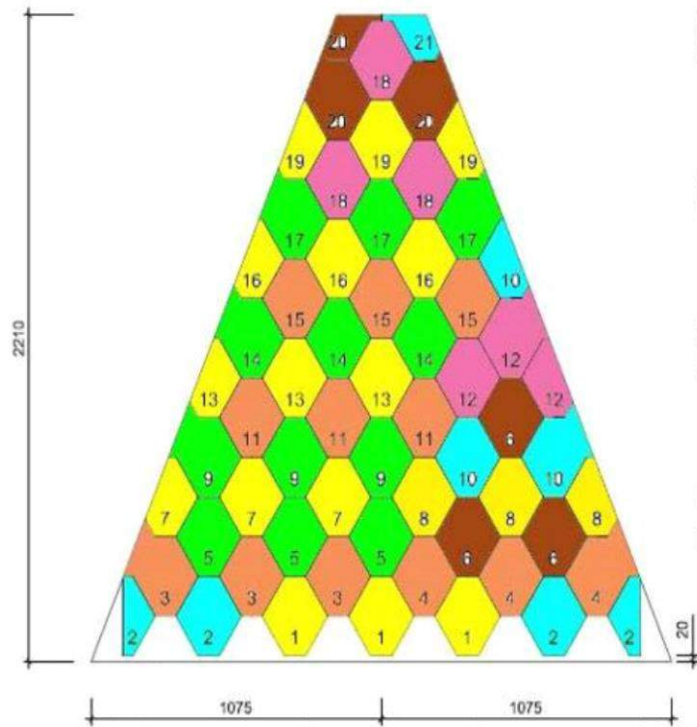
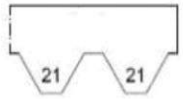
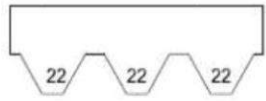


Fig 9

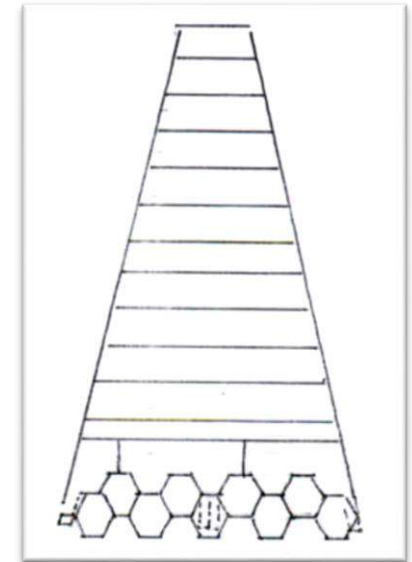
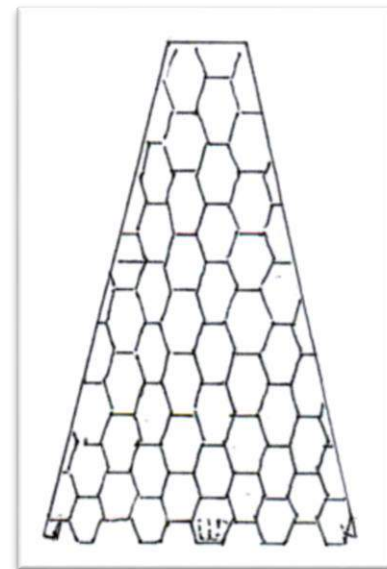
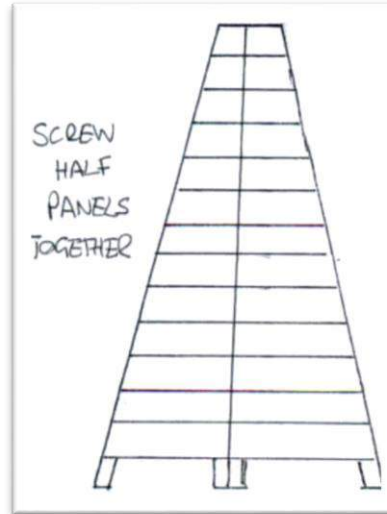


Fig 10

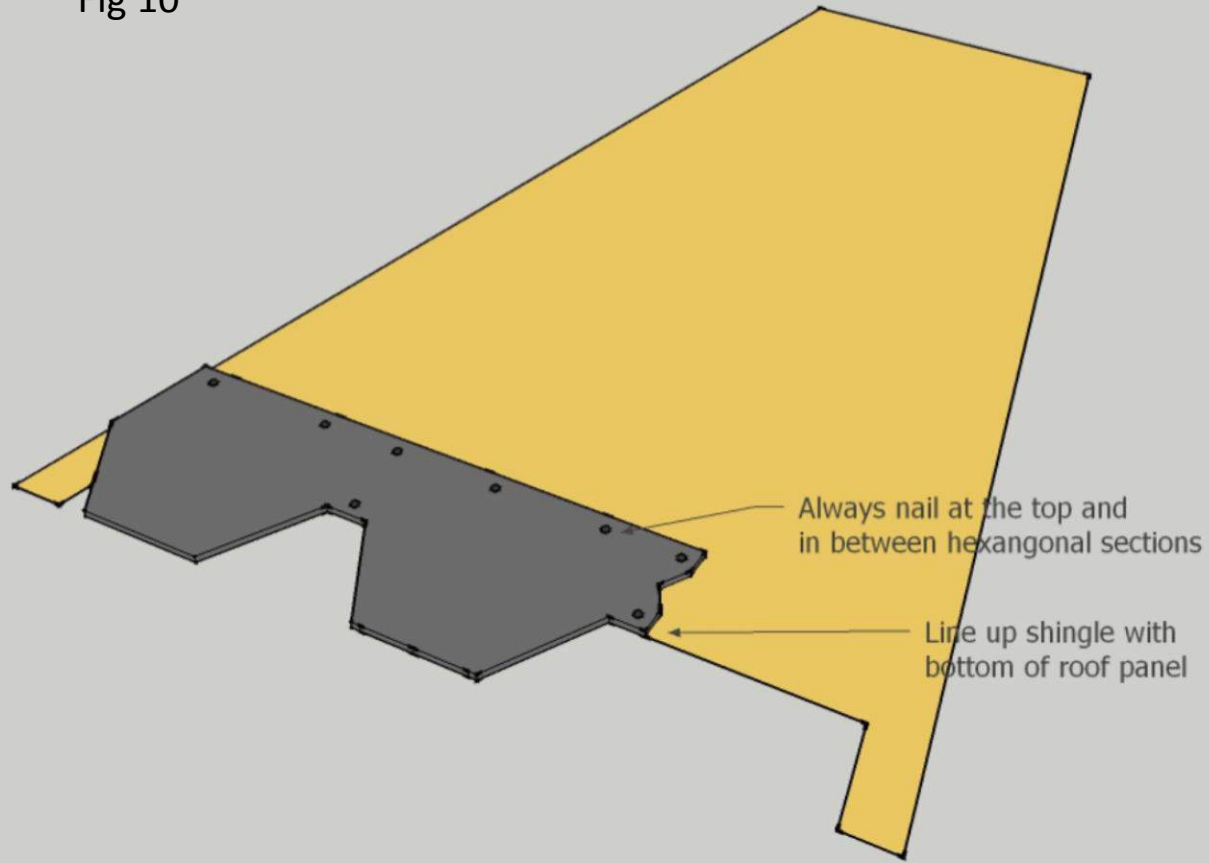


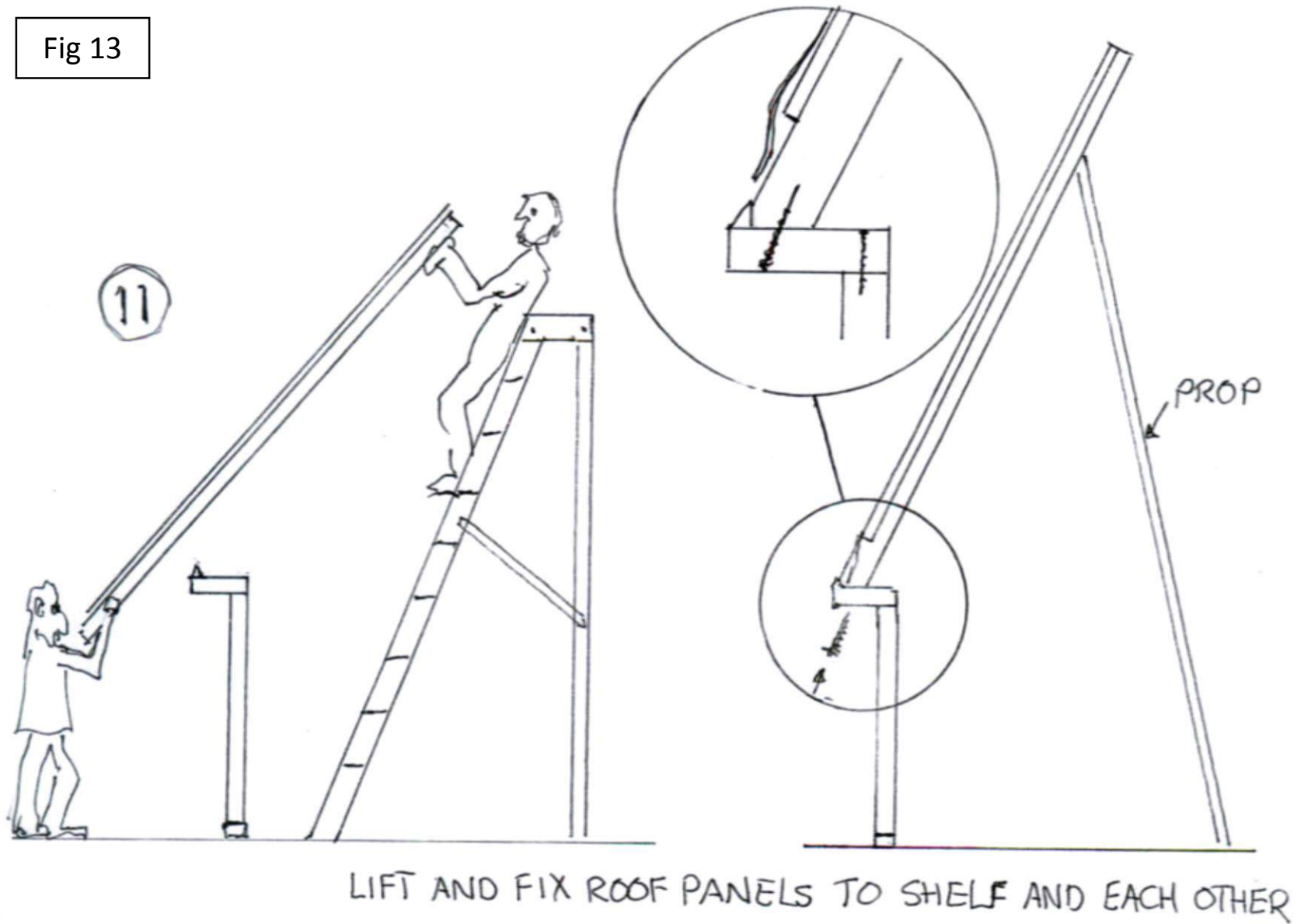
Fig 11

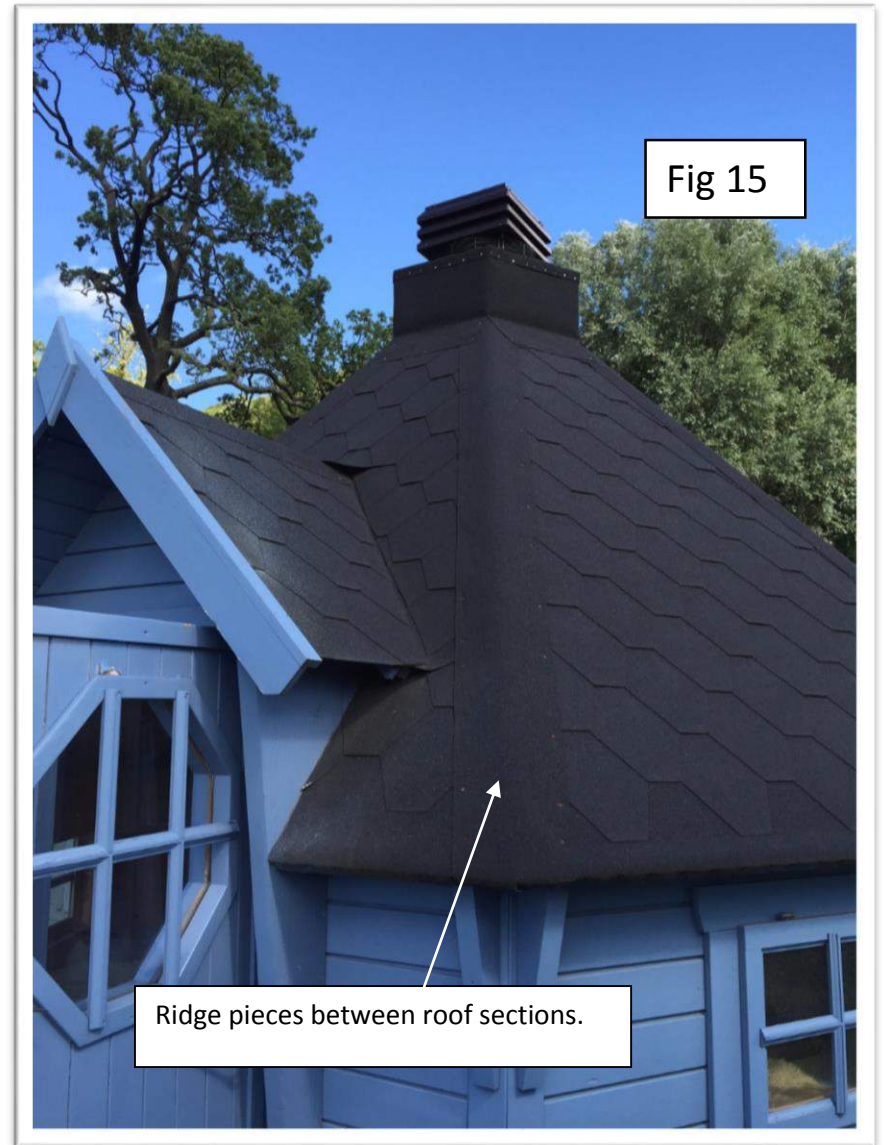
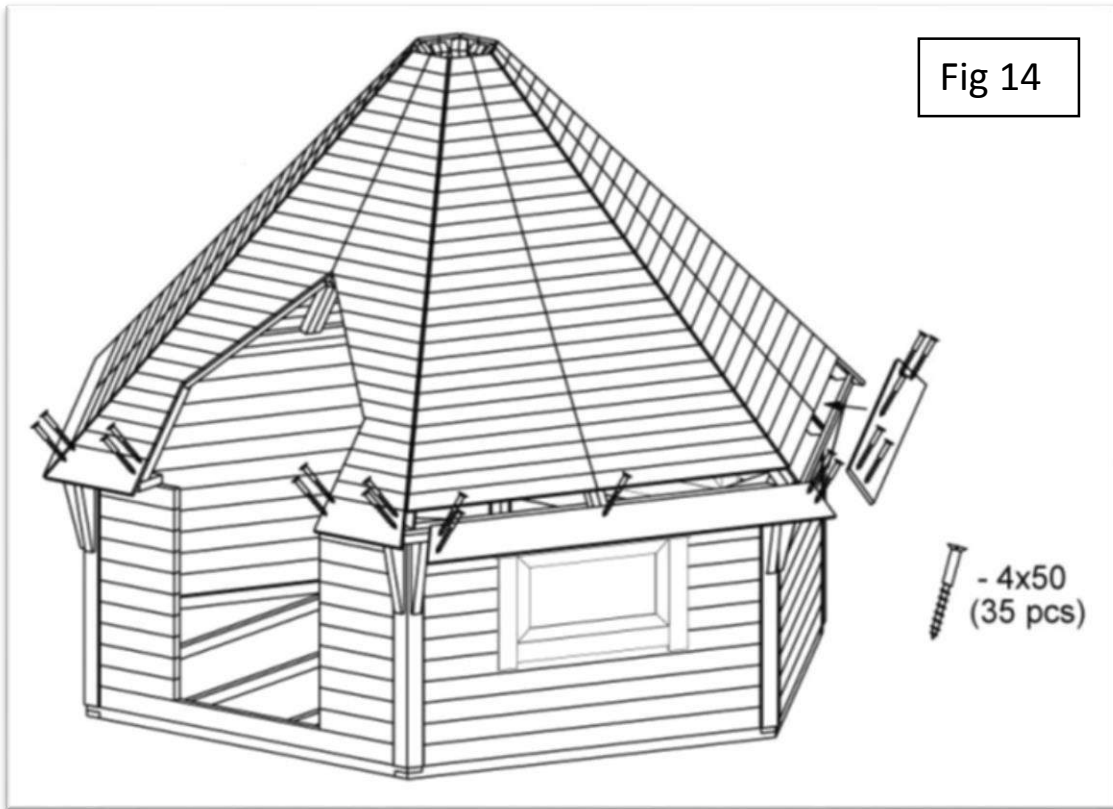


Fig 12



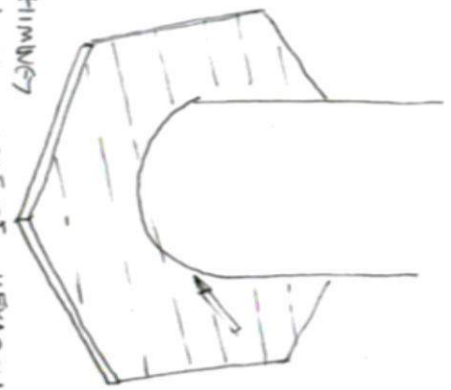
Fig 13



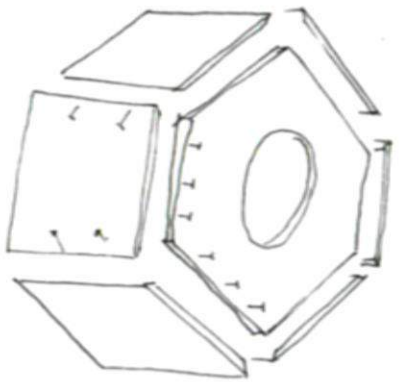


CHIMNEY PIECE ASSEMBLY

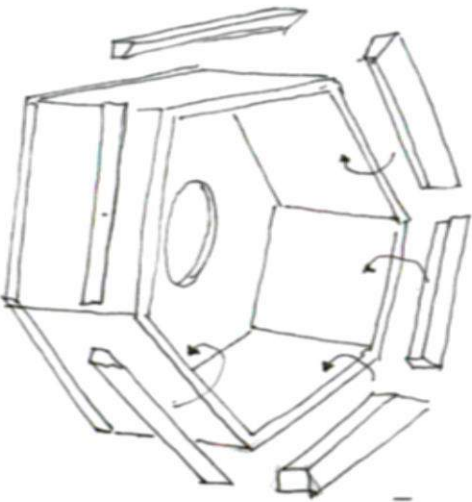
17



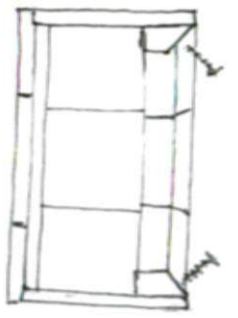
PLACE CHIMNEY SECTION IN MIDDLE OF HEXAGONAL SECTION AND DRAW ROUND CUT OUT SECTION WITH DIGSAW



NAIL SIDE SECTIONS TOGETHER

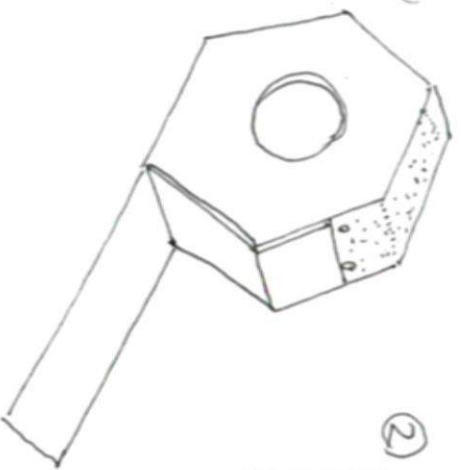


INSERT ANGLED FILLETS AND SCREW TO SIDES



FED CHIMNEY PIECE

1



2



Fig 16



Top Hat felt overhangs for weatherproofing.

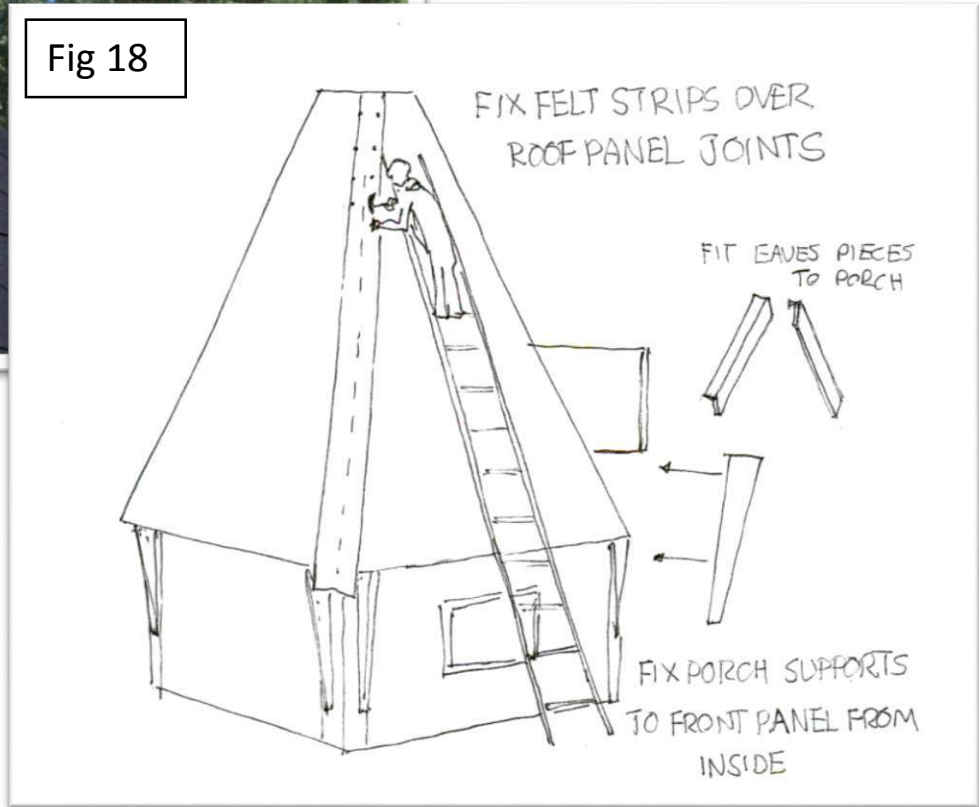




Fig 21

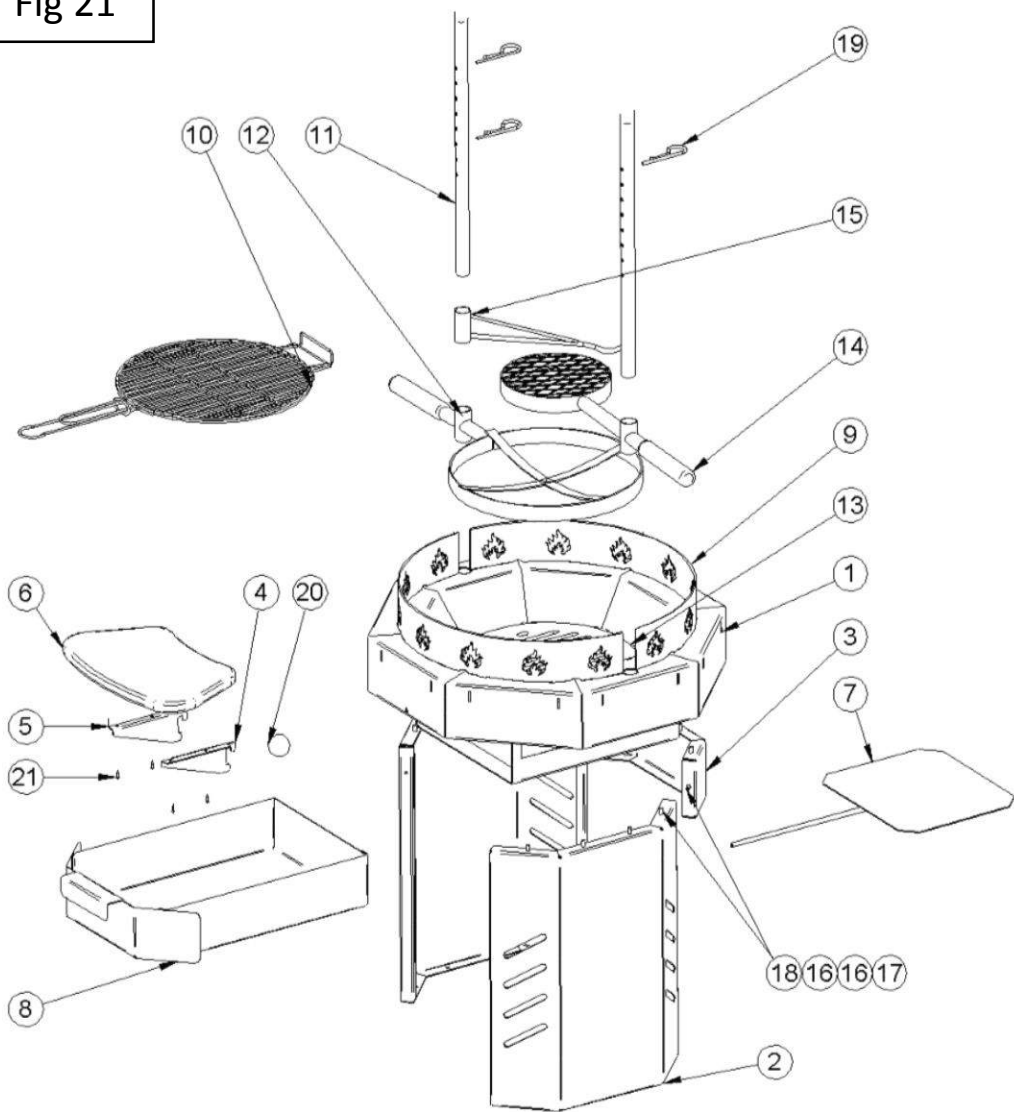


Fig 22

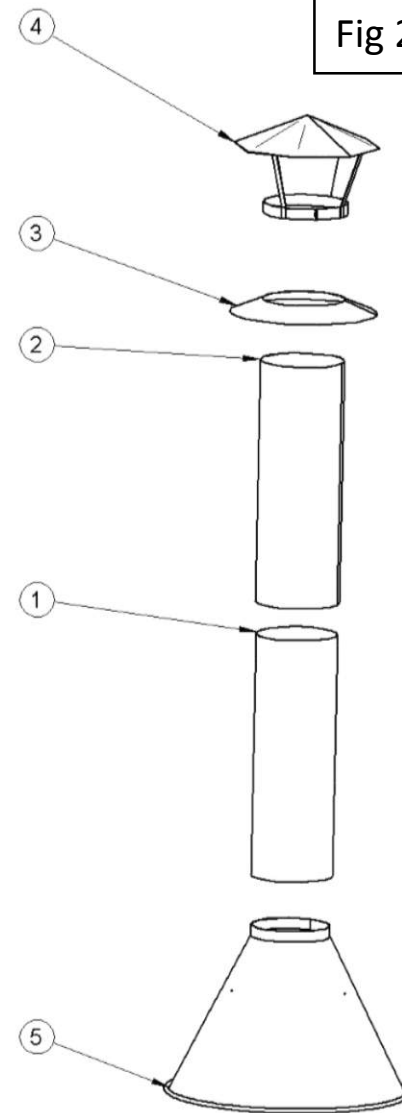


Fig 23

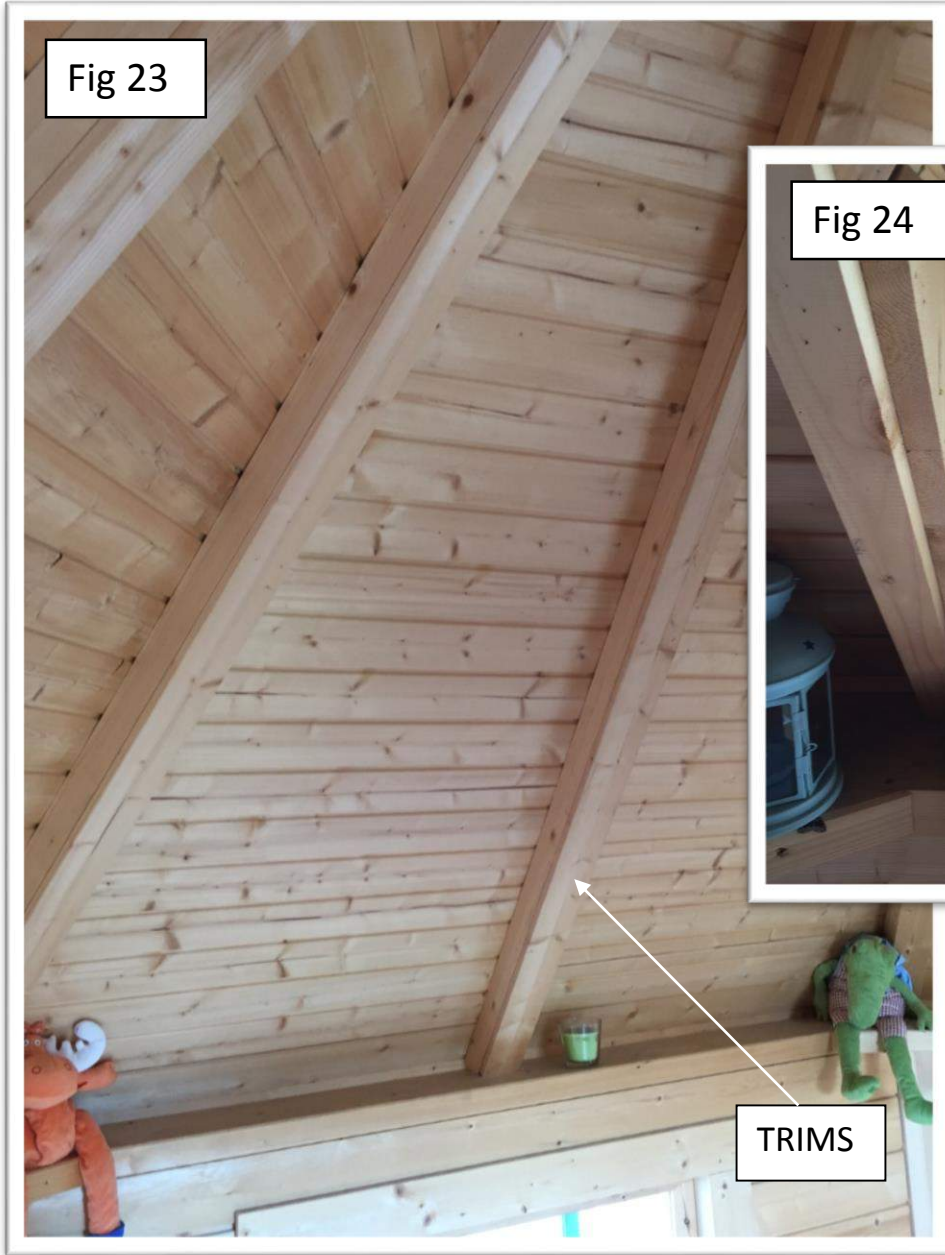


Fig 24

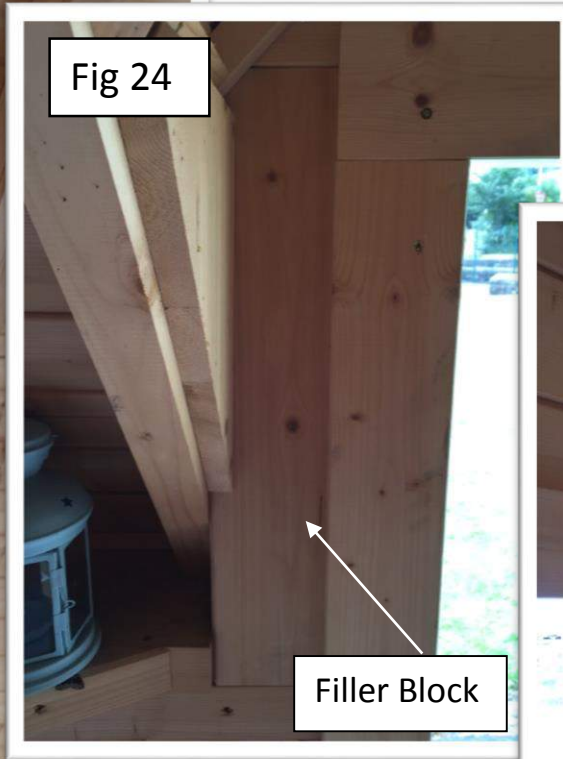


Fig 25



TRIMS

Filler Block

Triangular Filler

Fig 26

Please choose lengths suitable to your BBQ hut. 3mtr hut is 1st length, 4mtr 2nd & 5mtr 3rd.

